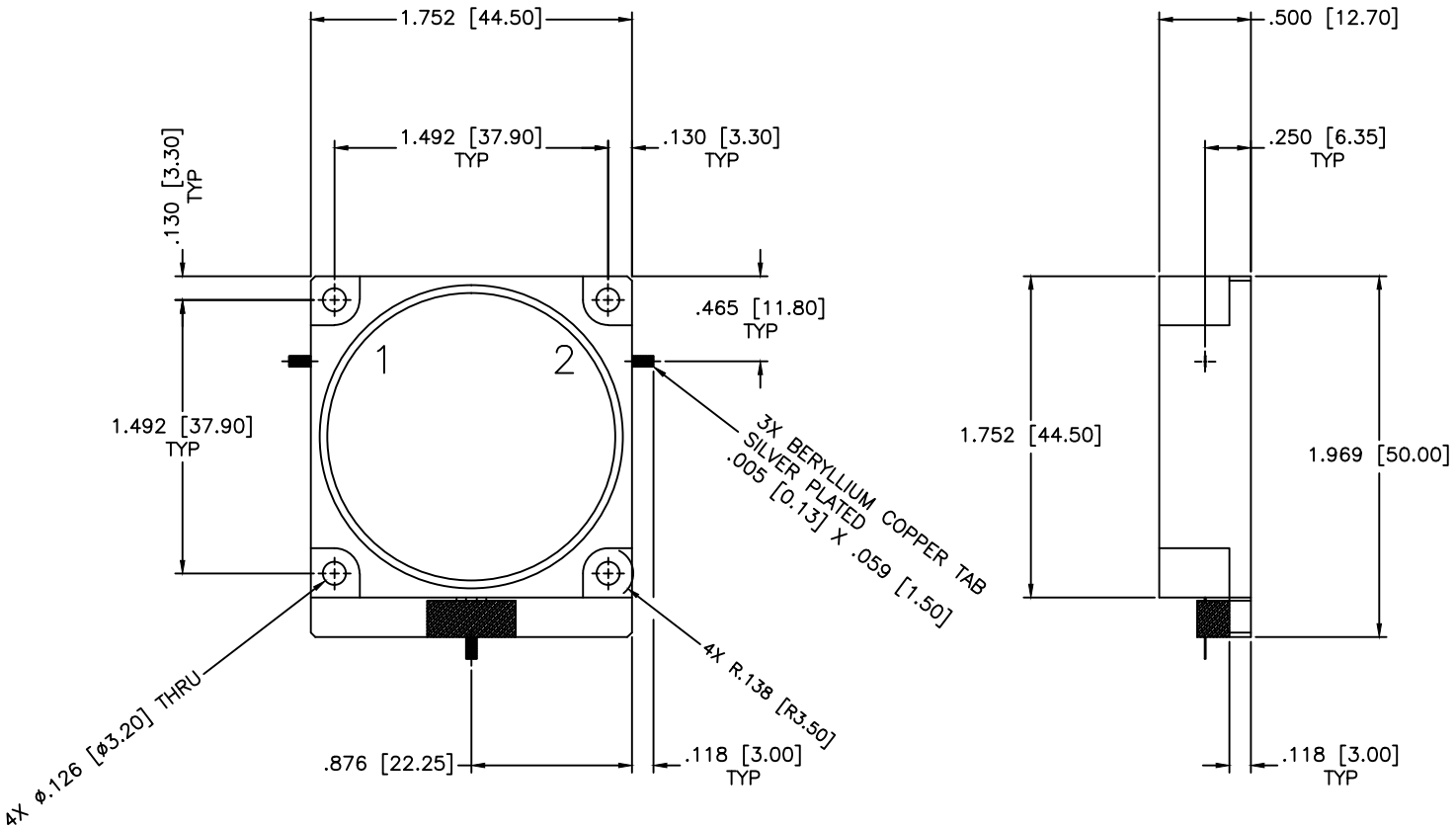


REVISIONS				
ZONE	REV	DESCRIPTION	Date	APPROVED



SPECIFICATIONS

Frequency Range: 350–500 MHz
 Isolation: 25dB Min.
 Insertion loss: 0.5dB Max.
 VSWR: 1.22:1 Max.
 Operating Temperature: –30°C to +70°C
 Power: 10W Avg.

MATERIAL:		MCLI MICROWAVE COMMUNICATIONS LABORATORIES INC. 7255 30TH AVE. N. SAINT PETERSBURG, FL 33710 TEL: (727) 344-6254 FAX: (727) 381-6116 http://WWW.MCLI.COM	SCALE:	N/A
			SHEET:	N/A
UNLESS OTHERWISE SPECIFIED: TOLERANCES IN (INCHES) OR (mm) (MILLIMETERS) FRACTIONS: ± 1/64 DECIMALS: ±.01 ±.005 ANGLE: ±1/2°		DRAWING TITLE: DROP-IN CIRCULATOR		
DRAWN: Paiboon Luekhamhan		PART NO.: MC-90		
DATE: 08-18-2011		CAGE CODE: OD2L5		
APPROVED: T. Nguyen		SIZE: A		
DATE: 08-18-2011		REV: N/A		
THIRD ANGLE PROJECTION		DWG NO.: 85847		
		DO NOT SCALE THE DRAWING		