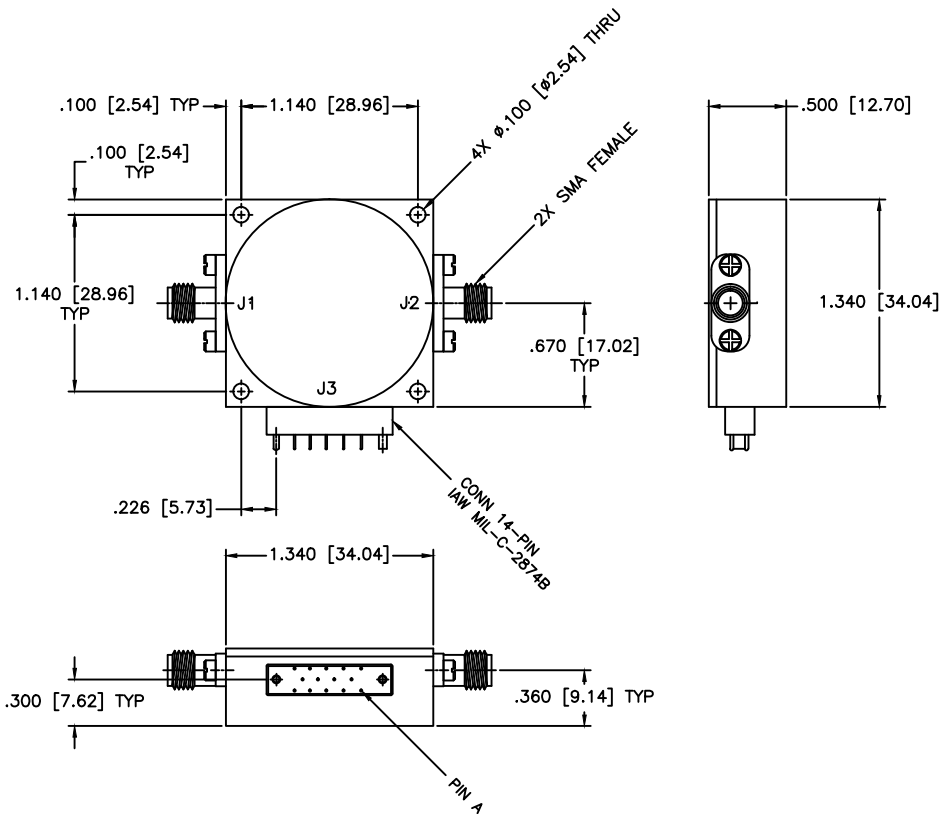


REVISIONS				
ZONE	REV	DESCRIPTION	Date	APPROVED



POWER/LOGIC CONNECTIONS

PIN	FUNCTIONS
A	DIGITAL POWER GROUND
B	LOGIC CONTROL
C	-12V to -15V
D	0.25dB (LSB)
E	0.5dB
F	1.0dB
H	4.0dB
J	2.0dB
K	16dB
L	32dB
M	+12V to +15V
N	8dB
P	GROUND
R	ANALOG INPUT

SPECIFICATIONS

Frequency Range: 4.5–13.5 GHz
Attenuator Range: 0–60dB
Insertion Loss: 3.0dB
Flatness
10dB ±1.0dB
20dB ±1.7dB
40dB ±3.0dB
60dB ±3.8dB
VSWR: 2.20:1 Max.

MATERIAL:		MCLI MICROWAVE COMMUNICATIONS LABORATORIES INC. 7255 30TH AVE. N. SAINT PETERSBURG, FL 33710 TEL: (727) 344-6254 FAX: (727) 381-6116 http://WWW.MCLI.COM	SCALE:	N/A
			SHEET:	N/A
UNLESS OTHERWISE SPECIFIED: TOLERANCES IN (INCHES) OR [mm] (MILLIMETERS) FRACTIONS: ± 1/64 DECIMALS: ±.01 ±.005 ANGLE: ±1/2°		DRAWING TITLE: PIN DIODE ATTENUATOR		
DRAWN: Paiboon Luekhamhan		PART NO. LC-9		
DATE: 03-28-1999		CAGE CODE: OD2L5		
APPROVED: T. Nguyen		DATE: 03-28-1999		
THIRD ANGLE PROJECTION		SIZE: A		
		REV: N/A		
		DWG NO. 81262		
DO NOT SCALE THE DRAWING				