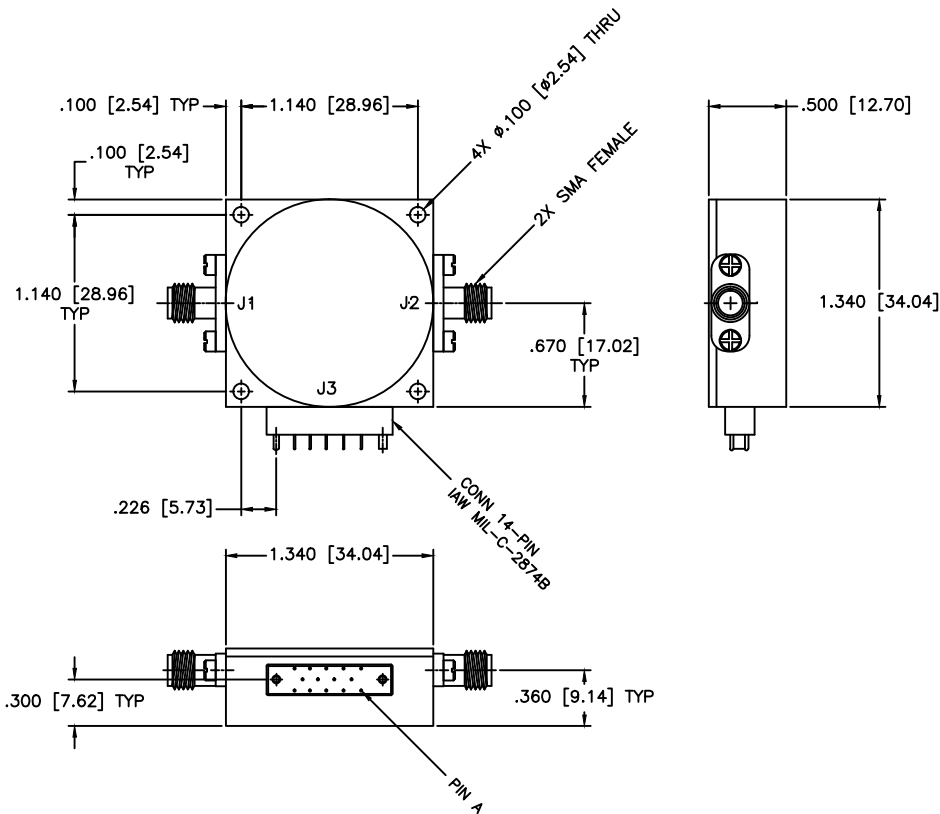


| REVISIONS | | | | |
|-----------|-----|-------------|------|----------|
| ZONE | REV | DESCRIPTION | Date | APPROVED |
| | | | | |



POWER/LOGIC CONNECTIONS

| PIN | FUNCTIONS |
|-----|----------------------|
| A | DIGITAL POWER GROUND |
| B | LOGIC CONTROL |
| C | -12V to -15V |
| D | 0.25dB (LSB) |
| E | 0.5dB |
| F | 1.0dB |
| H | 4.0dB |
| J | 2.0dB |
| K | 16dB |
| L | 32dB |
| M | +12V to +15V |
| N | 8dB |
| P | GROUND |
| R | ANALOG INPUT |

SPECIFICATIONS

Frequency Range: 6–18 GHz
Attenuator Range: 0–60dB
Insertion Loss: 4.0dB
Flatness
10dB ±1.0dB
20dB ±1.7dB
40dB ±3.2dB
60dB ±3.6dB
VSWR: 2.00:1 Max.

| | | | | |
|--|--|--|--------|-----|
| MATERIAL: | | MCLI MICROWAVE COMMUNICATIONS LABORATORIES INC. 7255 30TH AVE. N. SAINT PETERSBURG, FL 33710 TEL: (727) 344-6254 FAX: (727) 381-6116 http://WWW.MCLI.COM | SCALE: | N/A |
| | | | SHEET: | N/A |
| UNLESS OTHERWISE SPECIFIED: TOLERANCES IN (INCHES) OR [mm] (MILLIMETERS) FRACTIONS: ± 1/64 DECIMALS: ±.01 ±.005 ANGLE: ±1/2° | | DRAWING TITLE: PIN DIODE ATTENUATOR | | |
| DRAWN: Paiboon Luekhamhan | | PART NO. LC-12 | | |
| DATE: 03-28-1999 | | CAGE CODE: OD2L5 | | |
| APPROVED: T. Nguyen | | SIZE: A | | |
| DATE: 03-28-1999 | | REV: N/A | | |
| <small>PROCEEDURE NOTES: THE INFORMATION IN THIS DRAWING IS PROPRIETARY AND SHALL NOT BE USED OR DISCLOSED WITHOUT WRITTEN PERMISSION FROM MICROWAVE COMMUNICATIONS LABORATORIES INC. (MCLI)</small> | | DWG NO. 81265 | | |
| | | DO NOT SCALE THE DRAWING | | |