

SPECIFICATIONS

FREQUENCY RANGE: DC-8.0 GHz
 VSWR: 1.40:1 MAX.
 INSERTION LOSS: 0.40dB MAX.
 ISOLATION: 70dB MIN.
 IMPEDANCE: 50 OHMS

MECHANICAL

CONTACT: BREAK BEFORE MAKE
 ACTUATOR: LATCHING
 SWITCHING SPEED: 20 mSEC MAX

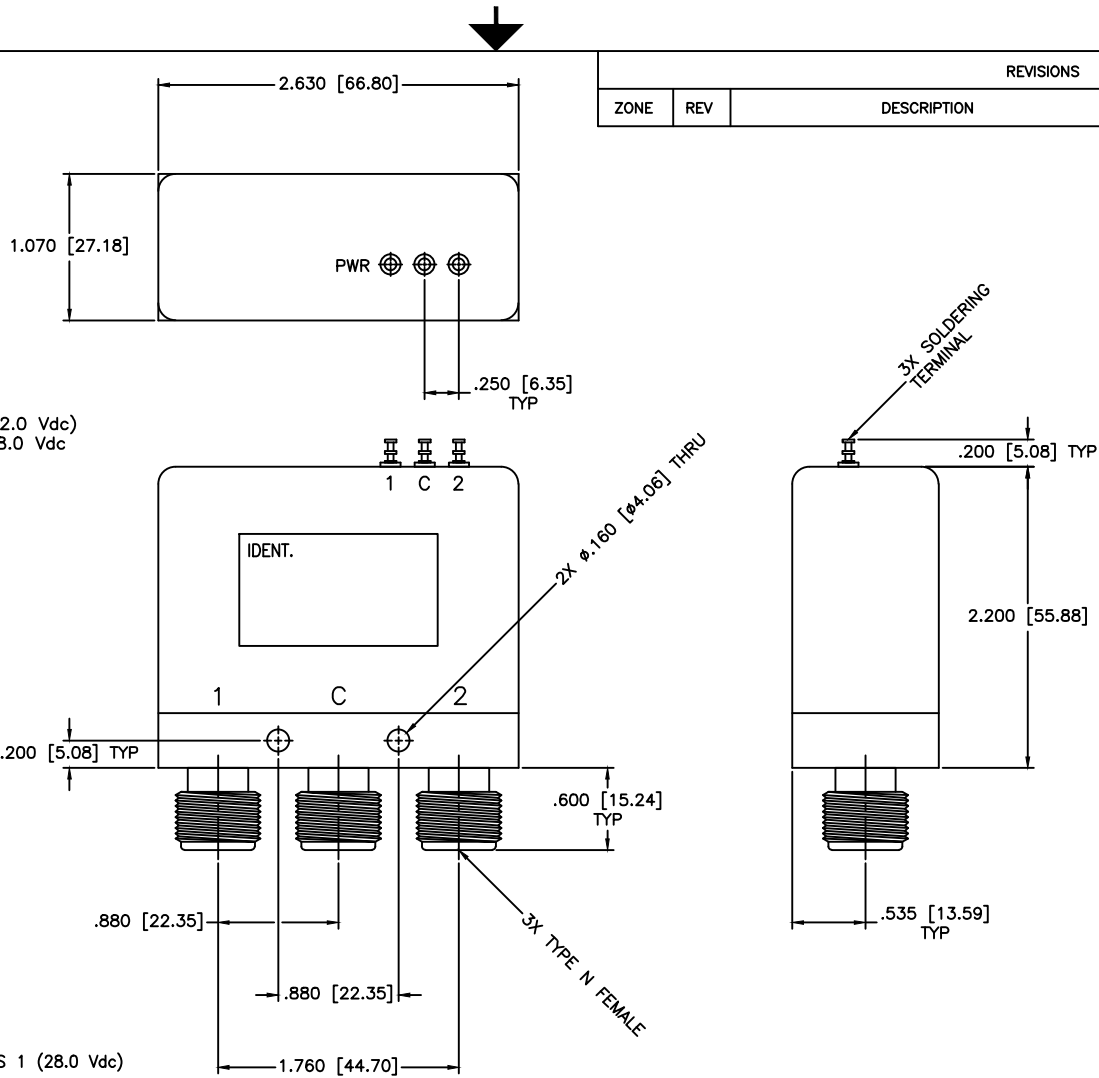
ELECTRICAL

ACTUATOR VOLTAGE: 28.0 Vdc (22.0-32.0 Vdc)
 ACTUATOR CURRENT: 100mA MAX @ 28.0 Vdc
 POWER HANDLING: 350W CW @ 1.0GHz

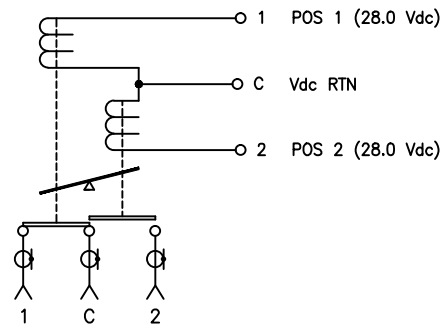
ENVIRONMENTAL

OPERATING TEMP: -54°C to +90°C
 SINE VIBRATION: 30 G'S rms
 LIFE: 1,000,000 CYCLES
 RANDOM VIBRATION: 20 G'S rms

REVISIONS				
ZONE	REV	DESCRIPTION	Date	APPROVED



SCHEMATIC
 SHOWN IN LATCHING



MATERIAL:	
DRAWN:	DATE:
Paiboon Luengkhamhan	01-13-2009
APPROVED:	DATE:
T. Nguyen	01-13-2009

MCLI MICROWAVE COMMUNICATIONS LABORATORIES INC.
 7255 30TH AVE. N. SAINT PETERSBURG, FL 33710
 TEL: (727) 344-6254 FAX: (727) 381-6116
 http://WWW.MCLI.COM

UNLESS OTHERWISE SPECIFIED:
 TOLERANCES
 IN (INCHES) OR [mm] (MILLIMETERS)
 FRACTIONS: $\pm 1/64$
 DECIMALS: $\pm .02 \pm .008$
 ANGLE: $\pm 1/2^\circ$

DRAWING TITLE:
 ELECTROMECHANICAL SWITCHES

SCALE:	N/A
SHEET:	N/A
PART NO.	K5-5-L
CAGE CODE:	OD2L5
SIZE:	N/A
REV:	N/A
DWG. NO.	84052
DO NOT SCALE THE DRAWING	

PROSECUTORY NOTICE:
 THE INFORMATION IN THIS DRAWING IS PROPRIETARY
 AND SHALL NOT BE USED OR DISCLOSED WITHOUT WRITTEN
 PERMISSION FROM MICROWAVE COMMUNICATIONS
 LABORATORIES INC. (MCLI)
 THIRD ANGLE PROJECTION