

SPECIFICATIONS

FREQUENCY RANGE: DC-3.0 GHz
 VSWR: 1.20:1 MAX.
 INSERTION LOSS: 0.20dB MAX.
 ISOLATION: 90dB MIN.
 IMPEDANCE: 50 OHMS

MECHANICAL

CONTACT: BREAK BEFORE MAKE
 ACTUATOR: FAILSAFE
 SWITCHING SPEED: 20 mSEC MAX

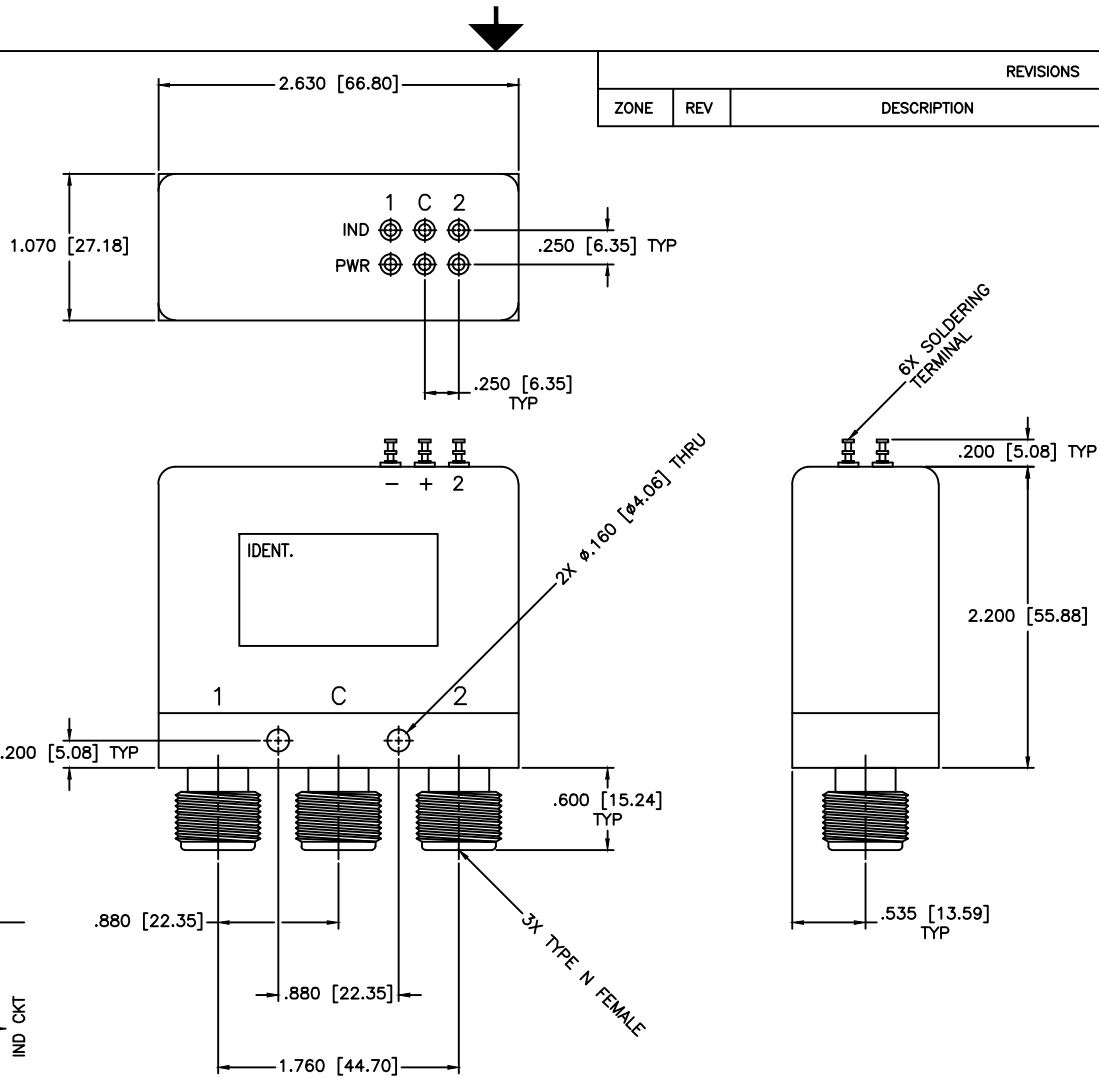
ELECTRICAL

ACTUATOR VOLTAGE: 12.0±3.0 Vdc
 ACTUATOR CURRENT: 250mA MAX
 POWER HANDLING: 350W CW @ 1.0GHz

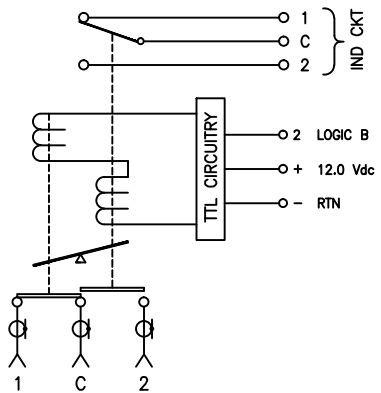
ENVIRONMENTAL

OPERATING TEMP: -54°C to +90°C
 SINE VIBRATION: 30 G'S rms
 LIFE: 1,000,000 CYCLES
 RANDOM VIBRATION: 20 G'S rms

REVISIONS			
ZONE	REV	DESCRIPTION	APPROVED



SCHEMATIC
 FAILSAFE, INDICATOR, TTL



MATERIAL:	
DRAWN: Paiboon Luekhamhan	DATE: 09-15-2011
APPROVED: T. Nguyen	DATE: 09-15-2011

MCLI MICROWAVE COMMUNICATIONS LABORATORIES INC.
 7255 30TH AVE. N. SAINT PETERSBURG, FL 33710
 TEL: (727) 344-6254 FAX: (727) 381-6116
 http://WWW.MCLI.COM

UNLESS OTHERWISE SPECIFIED:
 TOLERANCES
 IN (INCHES) OR [mm] (MILLIMETERS)
 FRACTIONS: ± 1/64
 DECIMALS: ±.02 ±.008
 ANGLE: ±1/2°

SCALE:	N/A
SHEET:	N/A
DRAWING TITLE: ELECTROMECHANICAL SWITCHES	
PART NO. K5-3-FIL/12	
CAGE CODE: OD2L5	SIZE: N/A REV: N/A DWG NO.: 85888
DO NOT SCALE THE DRAWING	

PROSECUTORY NOTICE:
 THE INFORMATION IN THIS DRAWING IS PROPRIETARY
 AND SHALL NOT BE USED OR DISCLOSED WITHOUT WRITTEN
 PERMISSION FROM MICROWAVE COMMUNICATIONS
 LABORATORIES INC. (MCLI)
 THIRD ANGLE PROJECTION