

REVISIONS				
ZONE	REV	DESCRIPTION	Date	APPROVED

10 PINS DESIGNATION

A	1 RF
B	2 RF
D	+ Vdc
E	- RTN
G	1 POS INDICATOR
H	2 POS INDICATOR
K	C COM INDICATOR
C	N/A
J	N/A
F	N/A

SPECIFICATIONS

FREQUENCY RANGE: DC-2.0 GHz
 VSWR: 1.20:1 Max.
 INSERTION LOSS: 0.20dB Max.
 ISOLATION: 90dB Min.
 IMPEDANCE: 50 Ohms

MECHANICAL

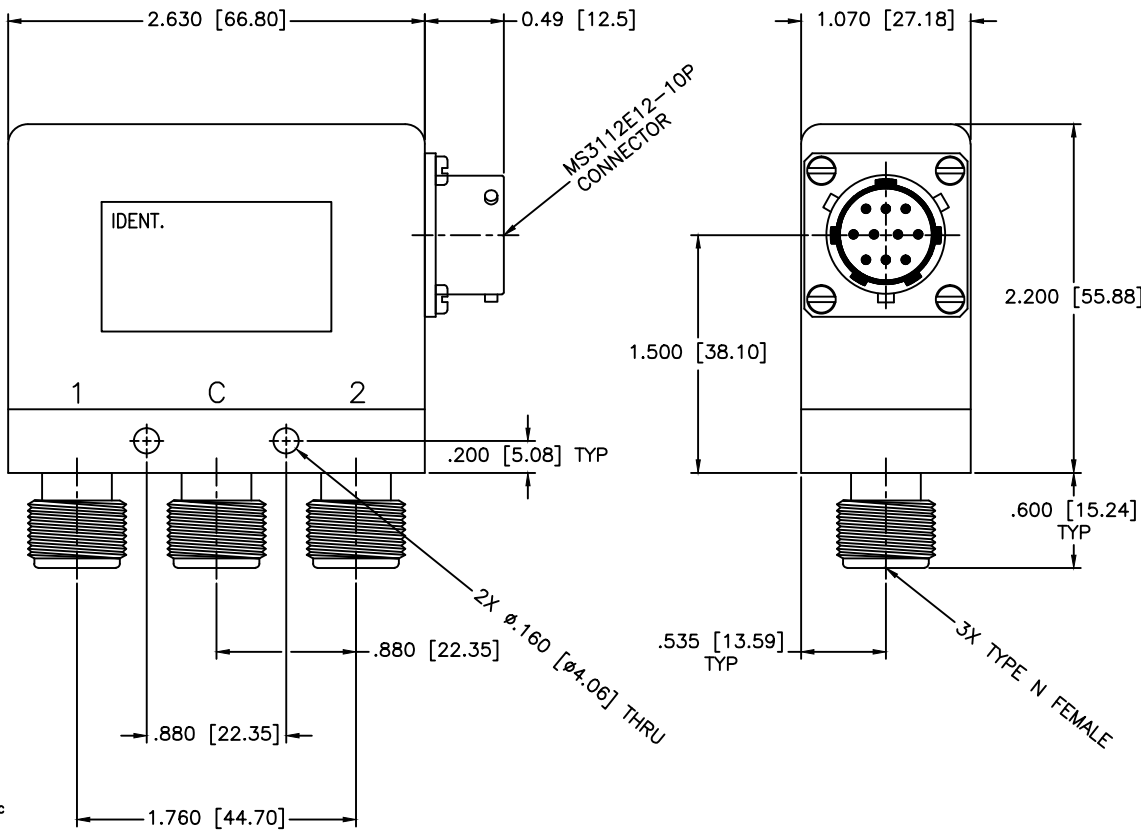
CONTACT: BREAK BEFORE MAKE
 ACTUATOR: LATCHING
 SWITCHING SPEED: 20 mSEC MAX

ELECTRICAL

ACTUATOR VOLTAGE: 10.0 Vdc
 ACTUATOR CURRENT: 125 mA MAX @ 10.0 Vdc
 POWER HANDLING: 200W CW @ 1.0GHz

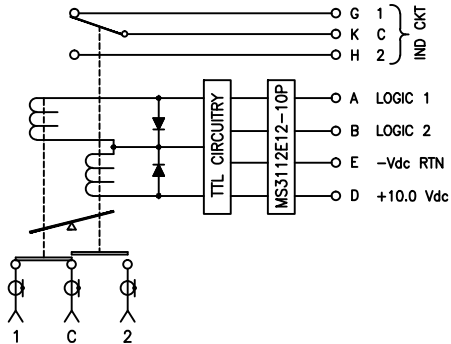
ENVIRONMENTAL

OPERATING TEMP: -54°C to +90°C
 SINE VIBRATION: 30 G'S rms
 LIFE: 1,000,000 CYCLES
 RANDOM VIBRATION: 20 G'S rms



SCHEMATIC

LATCHING, INDICATOR, SUPPRESSION DIODE, TTL



MATERIAL:	
DRAWN:	DATE:
Paiboon Luengkhamhan	06-02-2008
APPROVED:	DATE:
T. Nguyen	06-02-2008



MICROWAVE COMMUNICATIONS LABORATORIES INC.
 7255 30TH AVE. N. SAINT PETERSBURG, FL 33710
 TEL: (727) 344-6254 FAX: (727) 381-6116
 http://WWW.MCLI.COM

SCALE:	N/A
SHEET:	N/A

UNLESS OTHERWISE SPECIFIED:
 TOLERANCES
 IN (INCHES) OR [mm] (MILLIMETERS)
 FRACTIONS: ± 1/64
 DECIMALS: ±.02 ±.008
 ANGLE: ±1/2°

DRAWING TITLE:
ELECTROMECHANICAL SWITCHES

PART NO.
K5-2-LISL/10P

THIRD ANGLE PROJECTION

CAGE CODE:	SIZE:	REV:	DWG NO.
OD2L5	N/A	N/A	83575
DO NOT SCALE THE DRAWING			