

SPECIFICATIONS

FREQUENCY RANGE: DC-2.0 GHz
 VSWR: 1.20:1 MAX.
 INSERTION LOSS: 0.20dB MAX.
 ISOLATION: 90dB MIN.
 IMPEDANCE: 50 OHMS

MECHANICAL

CONTACT: BREAK BEFORE MAKE
 ACTUATOR: LATCHING
 SWITCHING SPEED: 20 mSEC MAX

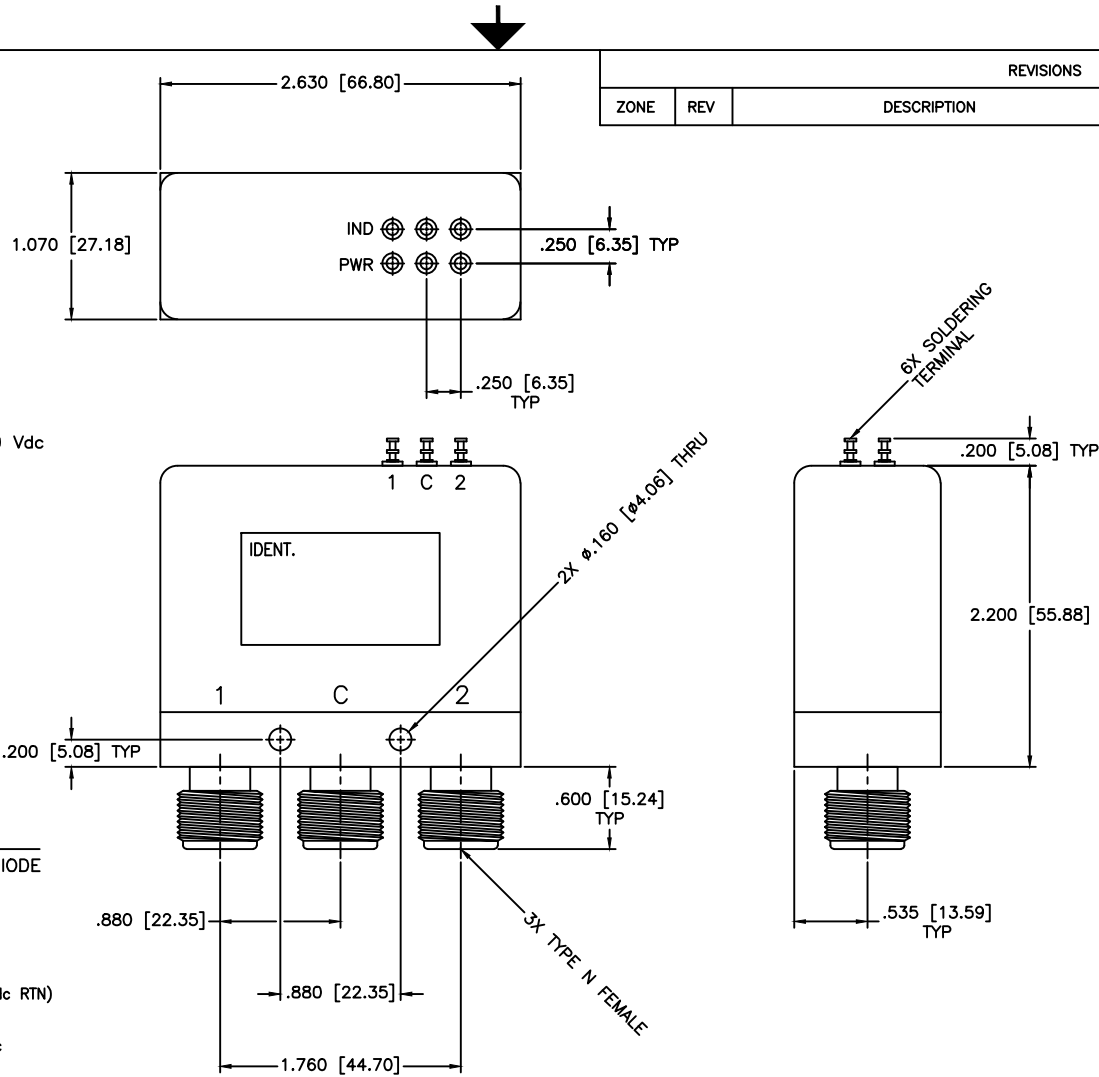
ELECTRICAL

ACTUATOR VOLTAGE: 12.0 Vdc
 ACTUATOR CURRENT: 125mA MAX @ 12.0 Vdc
 POWER HANDLING: 350W CW @ 1.0GHz

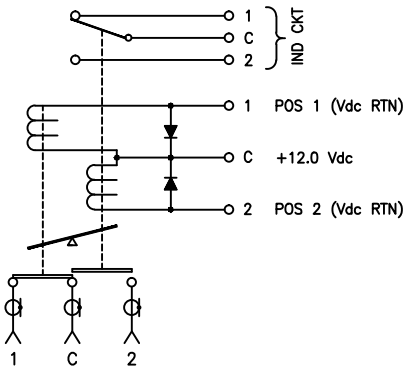
ENVIRONMENTAL

OPERATING TEMP: -54°C to +90°C
 SINE VIBRATION: 30 G'S rms
 LIFE: 1,000,000 CYCLES
 RANDOM VIBRATION: 20 G'S rms

REVISIONS			
ZONE	REV	DESCRIPTION	APPROVED



SCHMATIC
 LATCHING, INDICATOR, SUPPRESSION DIODE



MATERIAL:	
DRAWN:	DATE:
Paiboon Luekhamhan	08-11-2003
APPROVED:	DATE:
T. Nguyen	08-11-2003

MCLI MICROWAVE COMMUNICATIONS LABORATORIES INC.
 7255 30TH AVE. N. SAINT PETERSBURG, FL 33710
 TEL: (727) 344-6254 FAX: (727) 381-6116
 http://WWW.MCLI.COM

UNLESS OTHERWISE SPECIFIED:
 TOLERANCES
 IN (INCHES) OR [mm] (MILLIMETERS)
 FRACTIONS: ± 1/64
 DECIMALS: ±.02 ±.008
 ANGLE: ±1/2°

THIRD ANGLE PROJECTION

SCALE:	N/A
SHEET:	N/A
DRAWING TITLE:	
ELECTROMECHANICAL SWITCHES	
PART NO.:	
K5-2-LIS/12P	
CAGE CODE:	SIZE:
OD2L5	N/A
REV:	DWG. NO.:
N/A	82213
DO NOT SCALE THE DRAWING	