

**SPECIFICATIONS**

FREQUENCY RANGE: DC-2.0 GHz  
 VSWR: 1.20:1 MAX.  
 INSERTION LOSS: 0.20dB MAX.  
 ISOLATION: 90dB MIN.  
 IMPEDANCE: 50 OHMS

**MECHANICAL**

CONTACT: BREAK BEFORE MAKE  
 ACTUATOR: LATCHING  
 SWITCHING SPEED: 20 mSEC MAX

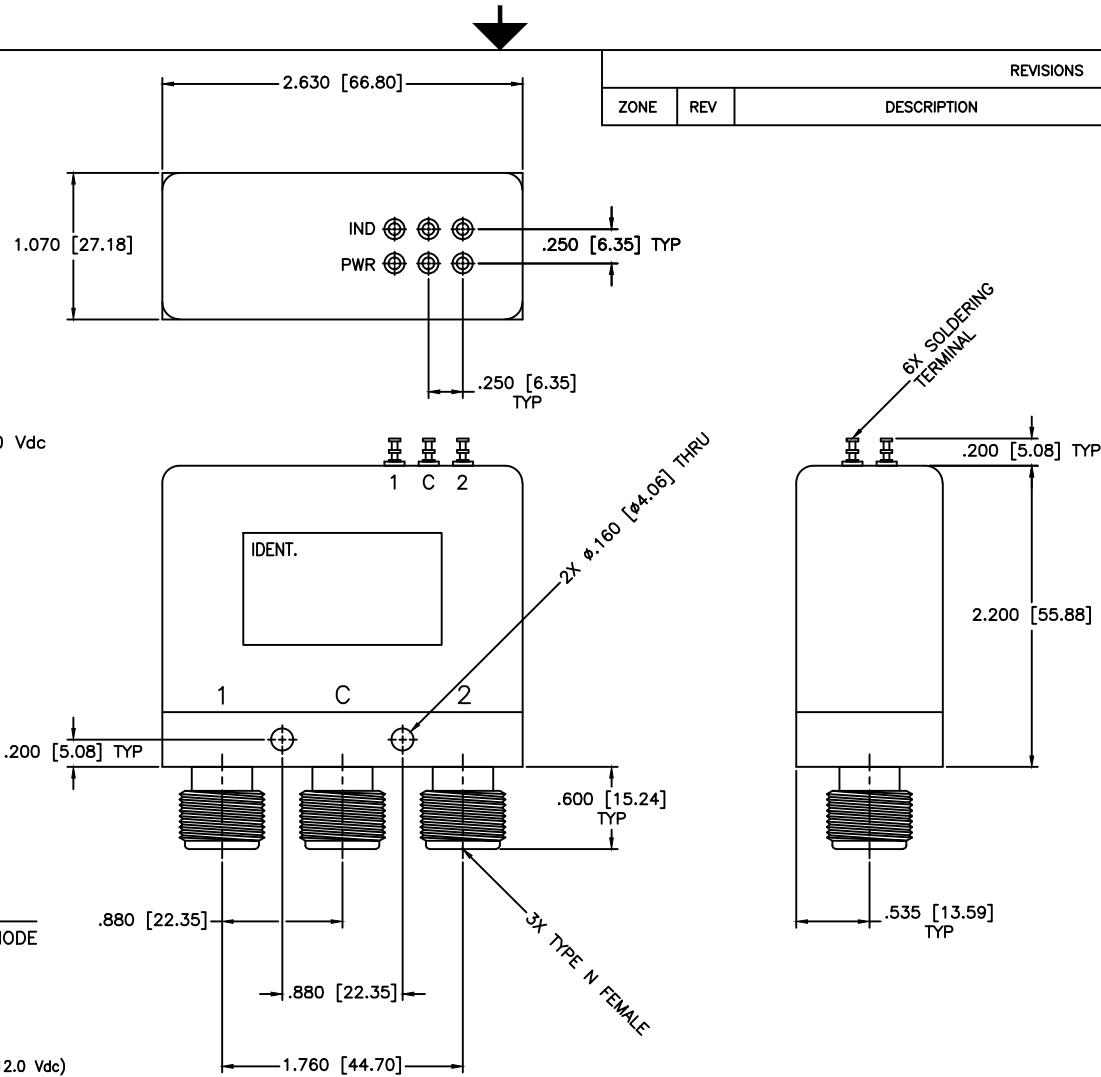
**ELECTRICAL**

ACTUATOR VOLTAGE: 12.0 Vdc  
 ACTUATOR CURRENT: 125mA MAX @ 12.0 Vdc  
 POWER HANDLING: 350W CW @ 1.0GHz

**ENVIRONMENTAL**

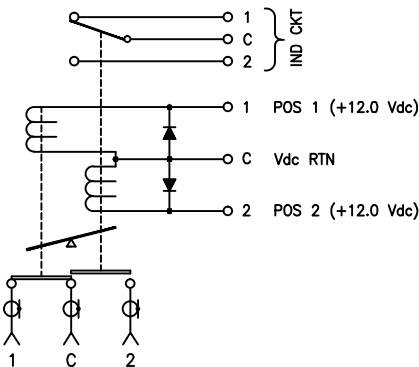
OPERATING TEMP: -54°C to +90°C  
 SINE VIBRATION: 30 G'S rms  
 LIFE: 1,000,000 CYCLES  
 RANDOM VIBRATION: 20 G'S rms

REVISIONS				
ZONE	REV	DESCRIPTION	DATE	APPROVED



**SCHEMATIC**

LATCHING, INDICATOR, SUPPRESSION DIODE



MATERIAL:	
DRAWN:	DATE:
Paiboon Luengkhamhan	08-11-2003
APPROVED:	DATE:
T. Nguyen	08-11-2003

**MCLI** MICROWAVE COMMUNICATIONS LABORATORIES INC.  
 7255 30TH AVE. N. SAINT PETERSBURG, FL 33710  
 TEL: (727) 344-6254 FAX: (727) 381-6116  
 http://WWW.MCLI.COM

UNLESS OTHERWISE SPECIFIED:  
 TOLERANCES  
 IN (INCHES) OR [mm] (MILLIMETERS)  
 FRACTIONS:  $\pm 1/64$   
 DECIMALS:  $\pm .02 \pm .008$   
 ANGLE:  $\pm 1/2^\circ$

PROSECUTORY NOTICE:  
 THE INFORMATION IN THIS DRAWING IS PROPRIETARY  
 AND SHALL NOT BE USED OR DISCLOSED WITHOUT WRITTEN  
 PERMISSION FROM MICROWAVE COMMUNICATIONS  
 LABORATORIES INC. (MCLI)

THIRD ANGLE PROJECTION

SCALE:	N/A
SHEET:	N/A
DRAWING TITLE:	
ELECTROMECHANICAL SWITCHES	
PART NO.:	
K5-2-LIS/12	
CAGE CODE:	SIZE:
OD2L5	N/A
REV:	DWG. NO.:
N/A	82210
DO NOT SCALE THE DRAWING	