

SPECIFICATIONS

FREQUENCY RANGE: DC-2.0 GHz
 VSWR: 1.20:1 MAX.
 INSERTION LOSS: 0.20dB MAX.
 ISOLATION: 90dB MIN.
 IMPEDANCE: 50 OHMS

MECHANICAL

CONTACT: BREAK BEFORE MAKE
 ACTUATOR: LATCHING
 SWITCHING SPEED: 20 mSEC MAX

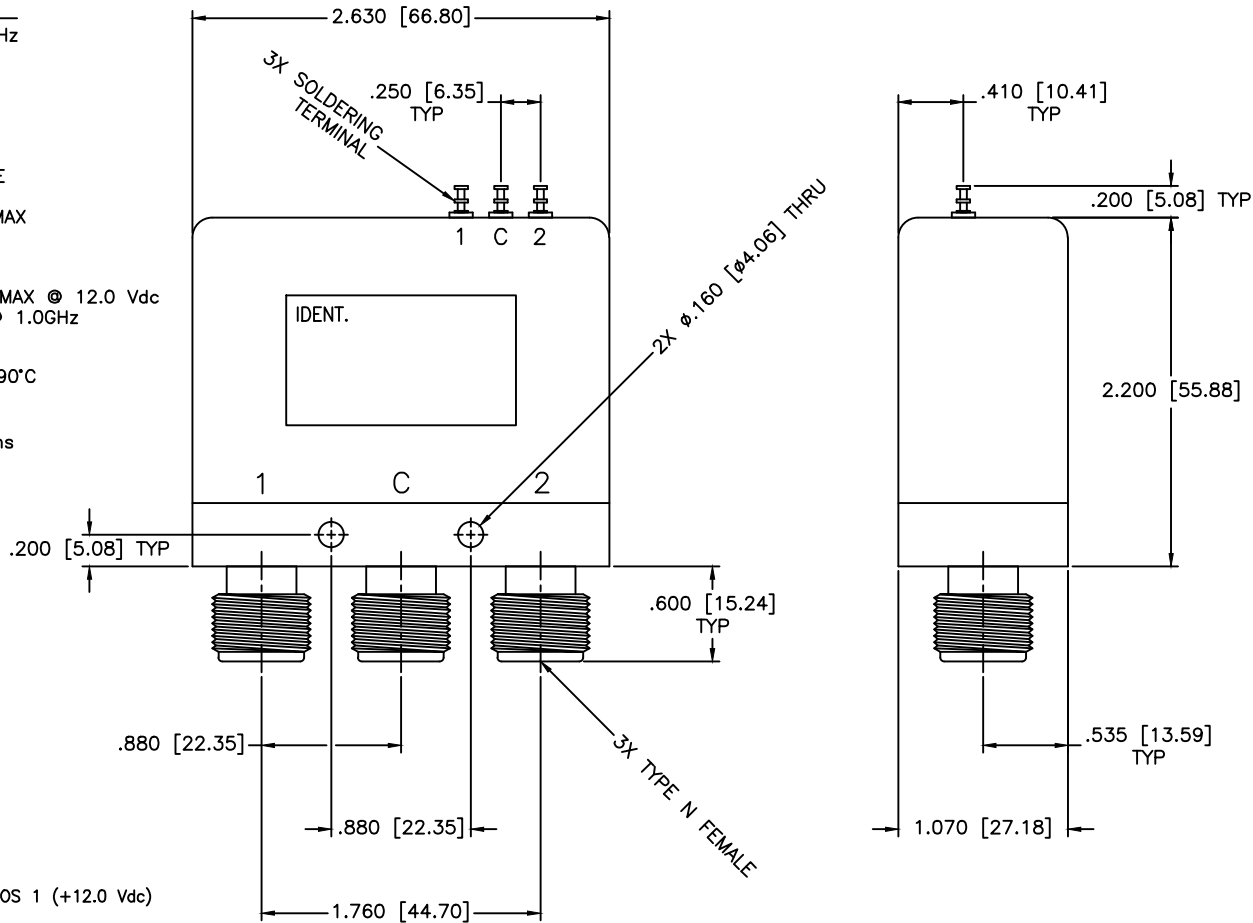
ELECTRICAL

ACTUATOR VOLTAGE: 12.0 Vdc
 ACTUATOR CURRENT: 125 mA MAX @ 12.0 Vdc
 POWER HANDLING: 350W CW @ 1.0GHz

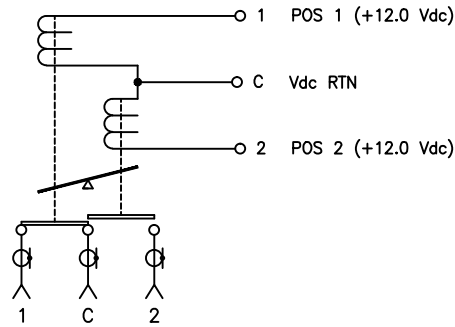
ENVIRONMENTAL

OPERATING TEMP: -54°C to +90°C
 SINE VIBRATION: 30 G'S rms
 LIFE: 1,000,000 CYCLES
 RANDOM VIBRATION: 20 G'S rms

REVISIONS				
ZONE	REV	DESCRIPTION	Date	APPROVED



SCHMATIC
 SHOWN IN LATCHING



MATERIAL:	
DRAWN:	DATE:
Paiboon Luekhamhan	08-11-2003
APPROVED:	DATE:
T. Nguyen	08-11-2003

	MICROWAVE COMMUNICATIONS LABORATORIES INC. 7255 30TH AVE. N. SAINT PETERSBURG, FL 33710 TEL: (727) 344-6254 FAX: (727) 381-6116 http://WWW.MCLI.COM		SCALE:	N/A
	UNLESS OTHERWISE SPECIFIED: TOLERANCES IN (INCHES) OR [mm] (MILLIMETERS) FRACTIONS: ± 1/64 DECIMALS: ±.02 ±.008 ANGLE: ±1/2°		SHEET:	N/A
DRAWING TITLE:		ELECTROMECHANICAL SWITCHES		
PART NO.:		K5-2-L/12		
CAGE CODE:	SIZE:	REV:	DWG. NO.	
OD2L5	N/A	N/A	82208	
DO NOT SCALE THE DRAWING				