

**MECHANICAL**

CONTACT: BREAK BEFORE MAKE  
 ACTUATOR: FAILSAFE  
 SWITCHING SPEED: 20 mSEC MAX

**ELECTRICAL**

ACTUATOR VOLTAGE: 28.0 Vdc (22.0-32.0 Vdc)  
 ACTUATOR CURRENT: 125 mA MAX @ 28.0 Vdc  
 POWER HANDLING: 350W CW @ 1.0GHz

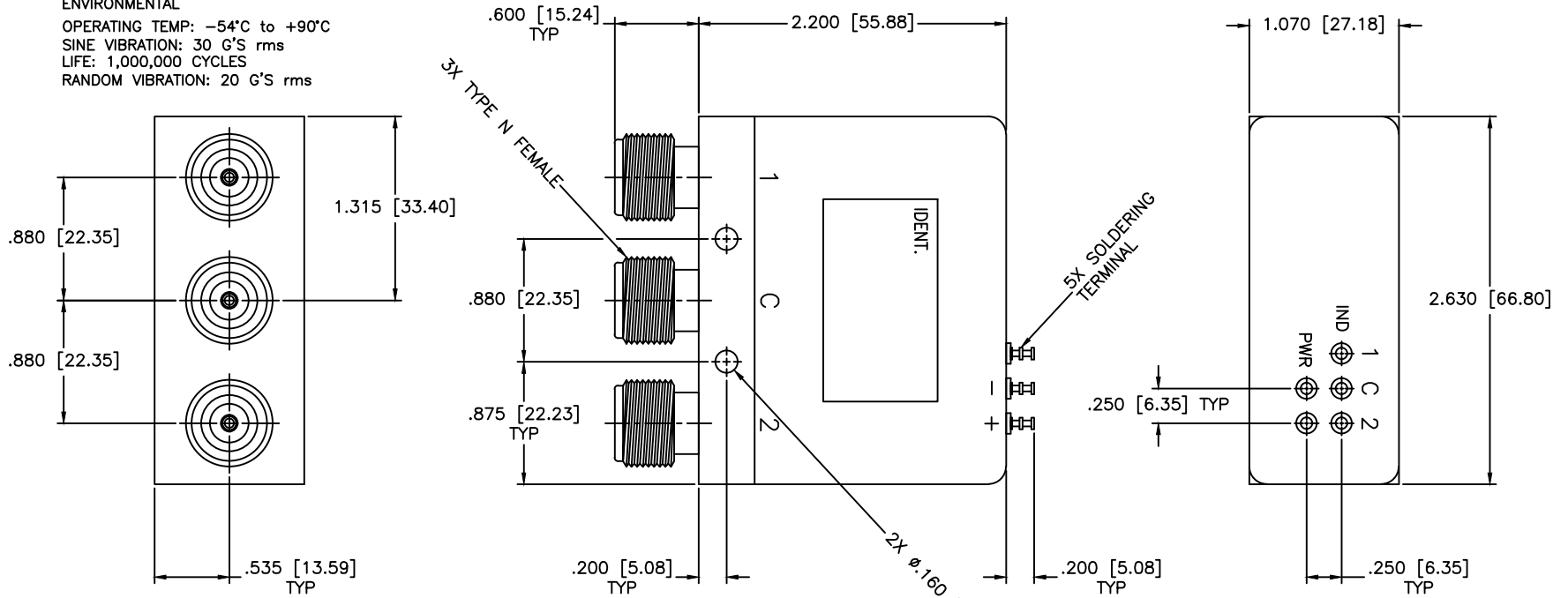
**ENVIRONMENTAL**

OPERATING TEMP: -54°C to +90°C  
 SINE VIBRATION: 30 G'S rms  
 LIFE: 1,000,000 CYCLES  
 RANDOM VIBRATION: 20 G'S rms

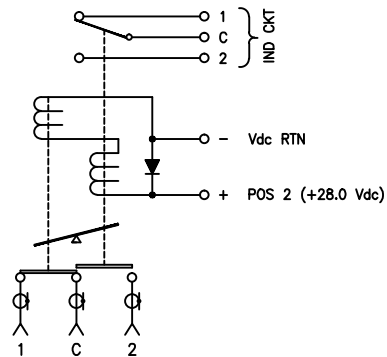
**SPECIFICATIONS**

Frequency Range: DC-2.0 GHz  
 VSWR: 1.20:1 Max.  
 Insertion Loss: 0.20dB Max.  
 Isolation: 90dB Min.  
 Impedance: 50 Ohms

REVISIONS				
ZONE	REV	DESCRIPTION	Date	APPROVED



**SCHMATIC**  
 FAILSAFE, INDICATOR, SUPPRESSION DIODE



MATERIAL:	
DRAWN: Paiboon Luekhamhan	DATE: 08-11-2003
APPROVED: T. Nguyen	DATE: 08-11-2003

<p>MICROWAVE COMMUNICATIONS LABORATORIES INC.                  7255 30TH AVE. N. SAINT PETERSBURG, FL 33710                  TEL: (727) 544-6254 FAX: (727) 381-6116                  http://WWW.MCLI.COM</p>	SCALE: N/A
	SHEET: N/A
UNLESS OTHERWISE SPECIFIED: TOLERANCES IN (INCHES) OR [mm] (MILLIMETERS) FRACTIONS: ± 1/64 DECIMALS: ±.02 ±.008 ANGLE: ±1/2°	DRAWING TITLE: <b>ELECTROMECHANICAL SWITCHES</b>
PART NO. <b>K5-2-FIS</b>	
CAGE CODE: OD2L5	SIZE: N/A
	REV: N/A
DO NOT SCALE THE DRAWING	
DWG. NO. 82205	

PROPRIETARY NOTICE:  
 THE INFORMATION IN THIS DRAWING IS PROPRIETARY  
 AND SHALL NOT BE USED OR DISCLOSED WITHOUT WRITTEN  
 PERMISSION FROM MICROWAVE COMMUNICATIONS  
 LABORATORIES INC. (MCLI)  
 THIRD ANGLE PROJECTION