

MECHANICAL

CONTACT: BREAK BEFORE MAKE
 ACTUATOR: FAILSAFE
 SWITCHING SPEED: 20 mSEC MAX

ELECTRICAL

ACTUATOR VOLTAGE: 28.0 Vdc (22.0-32.0 Vdc)
 ACTUATOR CURRENT: 125 mA MAX @ 28.0 Vdc
 POWER HANDLING: 350W CW @ 1.0GHz

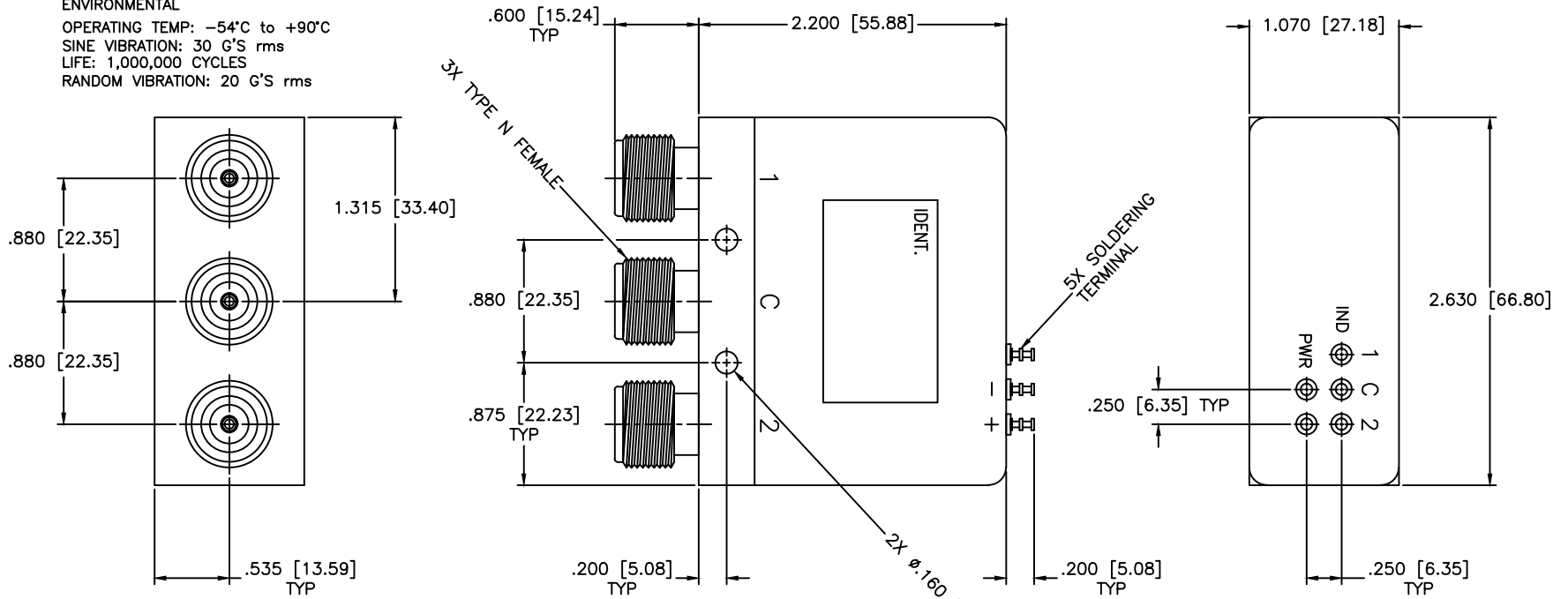
ENVIRONMENTAL

OPERATING TEMP: -54°C to +90°C
 SINE VIBRATION: 30 G'S rms
 LIFE: 1,000,000 CYCLES
 RANDOM VIBRATION: 20 G'S rms

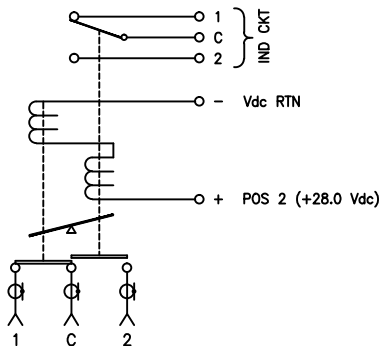
SPECIFICATIONS

Frequency Range: DC-2.0 GHz
 VSWR: 1.20:1 Max.
 Insertion Loss: 0.20dB Max.
 Isolation: 90dB Min.
 Impedance: 50 Ohms

REVISIONS				
ZONE	REV	DESCRIPTION	Date	APPROVED



SCHEMATIC
 FAILSAFE, INDICATOR



MATERIAL:

DRAWN: Paiboon Luengkhamhan
DATE: 08-11-2003

APPROVED: T. Nguyen
DATE: 08-11-2003

MCLI MICROWAVE COMMUNICATIONS LABORATORIES INC.
 7255 30TH AVE. N. SAINT PETERSBURG, FL 33710
 TEL: (727) 344-6254 FAX: (727) 381-6116
 http://WWW.MCLI.COM

UNLESS OTHERWISE SPECIFIED:
 TOLERANCES
 IN (INCHES) OR [mm] (MILLIMETERS)
 FRACTIONS: ± 1/64
 DECIMALS: ±.02 ±.008
 ANGLE: ±1/2°

DRAWING TITLE: ELECTROMECHANICAL SWITCHES		SCALE: N/A
PART NO. K5-2-F1		SHEET: N/A
CAGE CODE: OD2L5	SIZE: N/A	REV: N/A
DO NOT SCALE THE DRAWING		DWG NO. 82204

PROPRIETARY NOTICE:
 THE INFORMATION IN THIS DRAWING IS PROPRIETARY AND SHALL NOT BE USED OR DISCLOSED WITHOUT WRITTEN PERMISSION FROM MICROWAVE COMMUNICATIONS LABORATORIES INC. (MCLI)

THIRD ANGLE PROJECTION