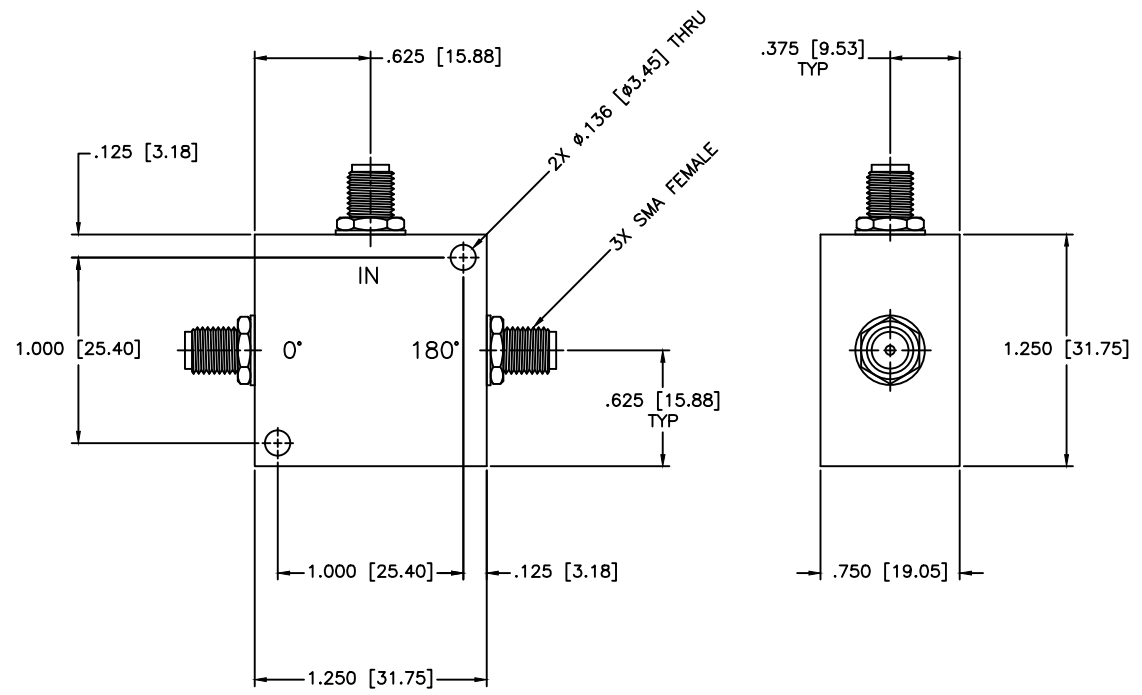


REVISIONS				
ZONE	REV	DESCRIPTION	DATE	APPROVED



SPECIFICATIONS

- Frequency Range: 500–1000 MHz
- Coupling: 3dB Typ.
- Isolation: 20dB Min.
- VSWR: 1.30:1 Max.
- Insertion Loss: 1.6dB Max.
- Amplitude Balance: ±0.4dB Max.
- Phase Balance: ±4 Deg. Max.
- Average Power: 1 Watt Max.
- Operational Temperature: -40°C to +85°C

MATERIAL:		MICROWAVE COMMUNICATIONS LABORATORIES INC. 7255 30TH AVE. N. SAINT PETERSBURG, FL 33710 TEL: (727) 344-6254 FAX: (727) 381-6116 http://WWW.MCLI.COM	SCALE: N/A			
			SHEET: N/A			
UNLESS OTHERWISE SPECIFIED: TOLERANCES IN (INCHES) OR [mm] (MILLIMETERS) FRACTIONS: ± 1/64 DECIMALS: ±.01 ±.005 ANGLE: ±1/2°		DRAWING TITLE: HYBRIDS				
		PART NO. JL-9				
DRAWN: Paiboon Luekhamhan	DATE: 05-09-2012	PROPRIETARY NOTICE: THE INFORMATION IN THIS DRAWING IS PROPRIETARY AND SHALL NOT BE USED OR DISCLOSED WITHOUT WRITTEN PERMISSION FROM MICROWAVE COMMUNICATIONS LABORATORIES INC. (MCLI)	CAGE CODE: OD2L5	SIZE: A	REV: C	DWG NO. 80744
APPROVED: T. Nguyen	DATE: 05-09-2012		DO NOT SCALE THE DRAWING			

