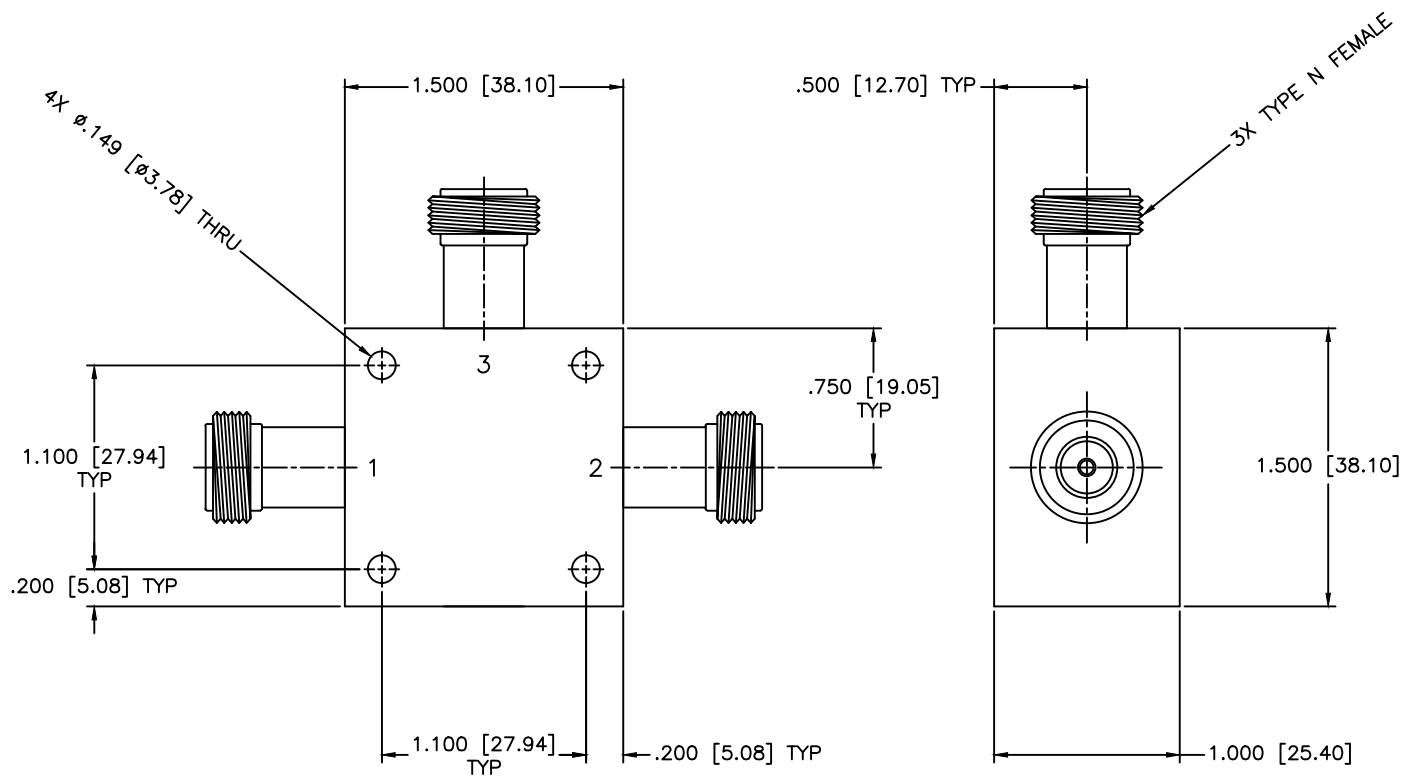


REVISIONS				
ZONE	REV	DESCRIPTION	DATE	APPROVED



SPECIFICATIONS

- Frequency Range: 5–200 MHz
- Isolation: 25dB Min. / 30dB Typ.
- VSWR: 1.50:1 Typ.
- Insertion Loss: 1.4dB Max.
- Amplitude Balance: 0.4dB Max.
- Phase Balance: 4° Max.
- Operating Temperature: –55°C to +85°C

MATERIAL:	
DRAWN: Paiboon Luekhamhan	DATE: 11-26-2013
APPROVED: T. Nguyen	DATE: 11-26-2013

	MICROWAVE COMMUNICATIONS LABORATORIES INC. 7255 30TH AVE. N. SAINT PETERSBURG, FL 33710 TEL: (727) 344-6254 FAX: (727) 381-6116 http://WWW.MCLI.COM		SCALE: N/A
	UNLESS OTHERWISE SPECIFIED: TOLERANCES IN (INCHES) OR [mm] (MILLIMETERS) FRACTIONS: ± 1/64 DECIMALS: ±.01 ±.005 ANGLE: ±1/2°		SHEET: N/A
PROPRIETARY NOTICE: THE INFORMATION IN THIS DRAWING IS PROPRIETARY AND SHALL NOT BE USED OR DISCLOSED WITHOUT WRITTEN PERMISSION FROM MICROWAVE COMMUNICATIONS LABORATORIES INC. (MCLI)		DRAWING TITLE: 180° HYBRID	
PART NO. JL-24/NF		CAGE CODE: OD2L5	DWG NO. 86462
THIRD ANGLE PROJECTION 		SIZE: A REV: N/A DO NOT SCALE THE DRAWING	