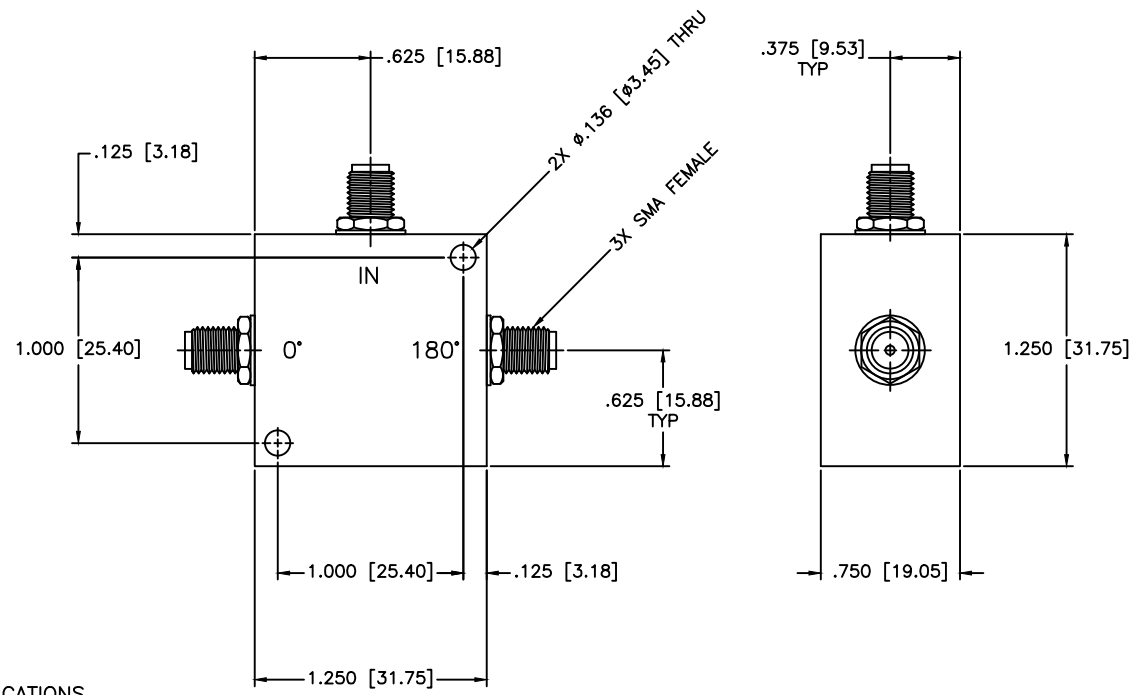


REVISIONS				
ZONE	REV	DESCRIPTION	DATE	APPROVED



SPECIFICATIONS

- Frequency Range: 0.01–60 MHz
- Coupling: 3dB Typ.
- Isolation: 20dB Min.
- VSWR: 1.30:1 Max.
- Insertion Loss: 0.7dB Max.
- Amplitude Balance: ±0.2dB Max.
- Phase Balance: ±2 Deg. Max.
- Input Power: 3 Watts Max.
- Operational Temperature: -55°C to +85°C
- Impedance: 50 Ohms (Nom)

MATERIAL:			MICROWAVE COMMUNICATIONS LABORATORIES INC. 7255 30TH AVE. N. SAINT PETERSBURG, FL 33710 TEL: (727) 344-6254 FAX: (727) 381-6116 http://WWW.MCLI.COM		SCALE:	N/A
			UNLESS OTHERWISE SPECIFIED: TOLERANCES IN (INCHES) OR [mm] (MILLIMETERS) FRACTIONS: ± 1/64 DECIMALS: ±.01 ±.005 ANGLE: ±1/2°		DRAWING TITLE:	180° HYBRID
DRAWN:		DATE:		PART NO.		
Paiboon Luekhamhan		01-31-2013		JL-17		
APPROVED:		DATE:		CAGE CODE:	SIZE:	REV:
T. Nguyen		01-31-2013		OD2L5	A	N/A
		PROPRIETARY NOTICE: THE INFORMATION IN THIS DRAWING IS PROPRIETARY AND SHALL NOT BE USED OR DISCLOSED WITHOUT WRITTEN PERMISSION FROM MICROWAVE COMMUNICATIONS LABORATORIES INC. (MCLI)		DWG NO. 86208		
		THIRD ANGLE PROJECTION 		DO NOT SCALE THE DRAWING		