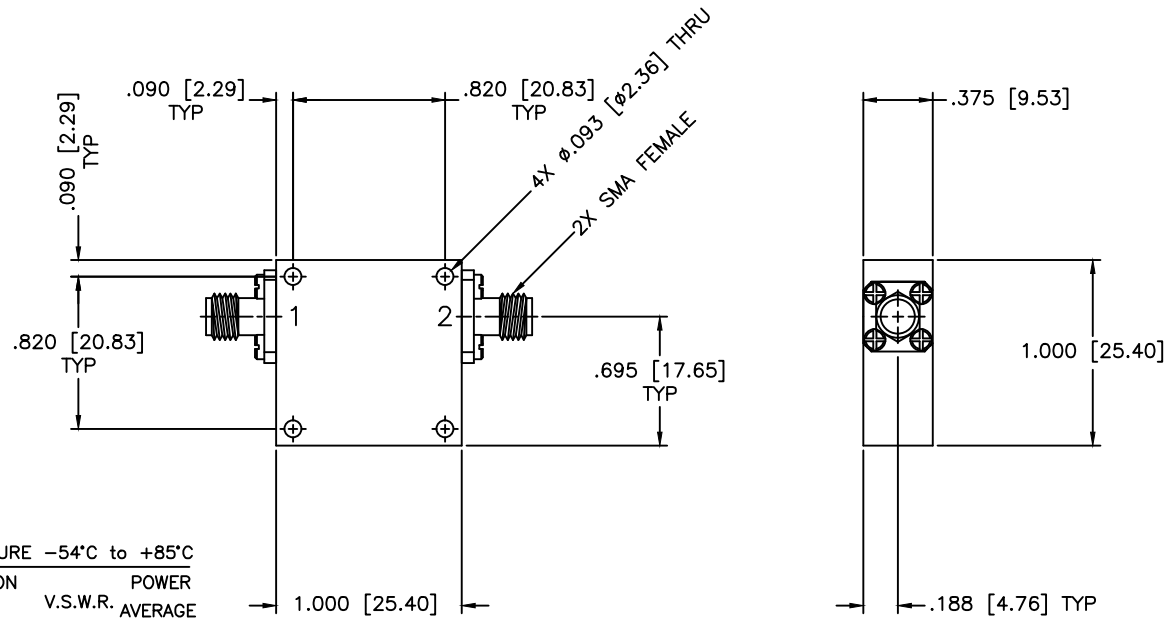


REVISIONS				
ZONE	REV	DESCRIPTION	Date	APPROVED



SPECIFICATIONS		OPERATING TEMPERATURE -54°C to +85°C			
MODEL NUMBERS	FREQUENCY RANGE (GHz)	ISOLATION (dB Min.)	INSERTION LOSS (dB Max.)	V.S.W.R. (Max.)	POWER AVERAGE (Watts)
ISN-1	0.80-0.85	20	0.5	1.25:1	5
ISN-4	1.435-1.535	20	0.5	1.25:1	5
ISN-5	1.6-1.8	20	0.5	1.25:1	5
ISN-7	2.2-2.4	20	0.5	1.25:1	5
ISN-9	2.7-3.1	20	0.5	1.25:1	5
ISN-10	3.0-3.5	20	0.5	1.25:1	5
ISN-11	3.7-4.2	20	0.5	1.25:1	5
ISN-12	4.2-4.4	20	0.5	1.25:1	5
ISN-13	5.2-5.9	20	0.5	1.25:1	5
ISN-14	5.9-.65	20	0.5	1.25:1	5
ISN-15	6.5-7.2	20	0.5	1.25:1	5
ISN-17	10-12	20	0.5	1.25:1	5
ISN-18	12-15	20	0.5	1.25:1	5

MATERIAL:

DRAWN: Paiboon Luekhamhan DATE: 08-25-2000

APPROVED: T. Nguyen DATE: 08-25-2000

MCLI MICROWAVE COMMUNICATIONS LABORATORIES INC.
7255 30TH AVE. N. SAINT PETERSBURG, FL 33710
TEL: (727) 344-6254 FAX: (727) 381-6116
http://WWW.MCLI.COM

SCALE: N/A
SHEET: N/A

UNLESS OTHERWISE SPECIFIED:
TOLERANCES
IN (INCHES) OR [mm] (MILLIMETERS)
FRACTIONS: ± 1/64
DECIMALS: ±.01 ±.005
ANGLE: ±1/2°

PROPERTY NOTICE:
THE INFORMATION IN THIS DRAWING IS PROPRIETARY
AND SHALL NOT BE USED OR DISCLOSED WITHOUT WRITTEN
PERMISSION FROM MICROWAVE COMMUNICATIONS
LABORATORIES INC. (MCLI)

THIRD ANGLE PROJECTION

DRAWING TITLE: COAXIAL ISOLATOR

PART NO.: ISN-1,-4,-5, 7, 9-15, 17, 18

CAGE CODE: OD2L5 SIZE: N/A REV: N/A DWG NO.: 84044

DO NOT SCALE THE DRAWING