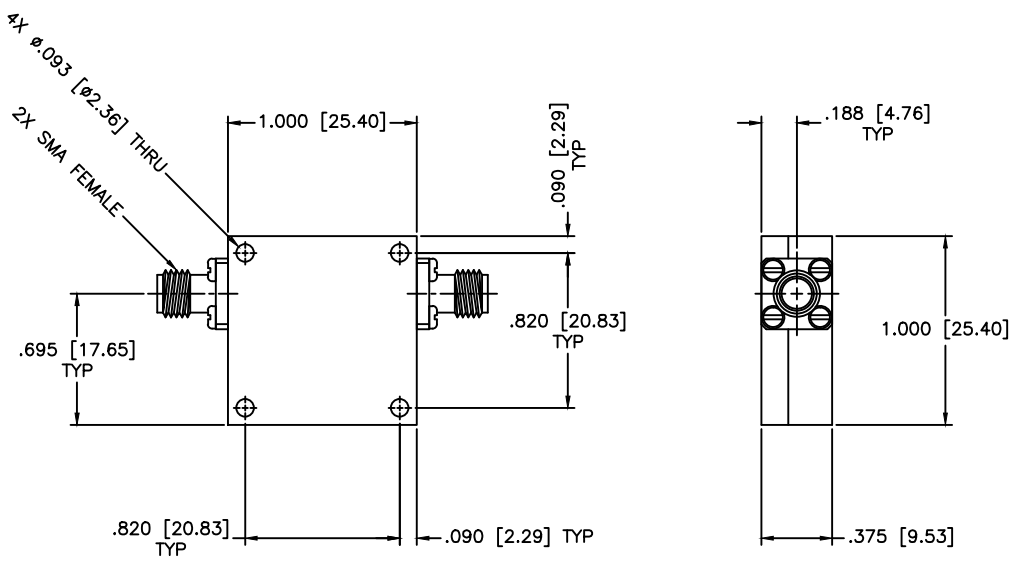


REVISIONS				
ZONE	REV	DESCRIPTION	Date	APPROVED



SPECIFICATIONS

Frequency Range: 2.5–2.7 GHz
 Isolation: 20dB Min.
 Insertion loss: 0.50dB Max.
 VSWR: 1.22:1 Max.
 Power Rating: 5 Watts
 Operating Temperature: -45°C to +85°C

MATERIAL:		MCLI MICROWAVE COMMUNICATIONS LABORATORIES INC. 7255 30TH AVE. N. SAINT PETERSBURG, FL 33710 TEL: (727) 344-6254 FAX: (727) 381-6116 http://WWW.MCLI.COM	SCALE: N/A
UNLESS OTHERWISE SPECIFIED: TOLERANCES IN (INCHES) OR [mm] (MILLIMETERS) FRACTIONS: ± 1/64 DECIMALS: ±.010 ANGLE: ±1/2°			DRAWING TITLE: COAXIAL ISOLATOR
DRAWN: Paiboon Luekhamhan		DATE: 04-02-2013	PART NO.: ISN-8
APPROVED: T. Nguyen		DATE: 04-02-2013	CAGE CODE: OD2L5
PROPRIETARY NOTICE: THE INFORMATION IN THIS DRAWING IS PROPRIETARY AND SHALL NOT BE USED OR DISCLOSED WITHOUT WRITTEN PERMISSION FROM MICROWAVE COMMUNICATIONS LABORATORIES INC. (MCLI)		SIZE: N/A REV: A DWG NO.: 82811	DO NOT SCALE THE DRAWING