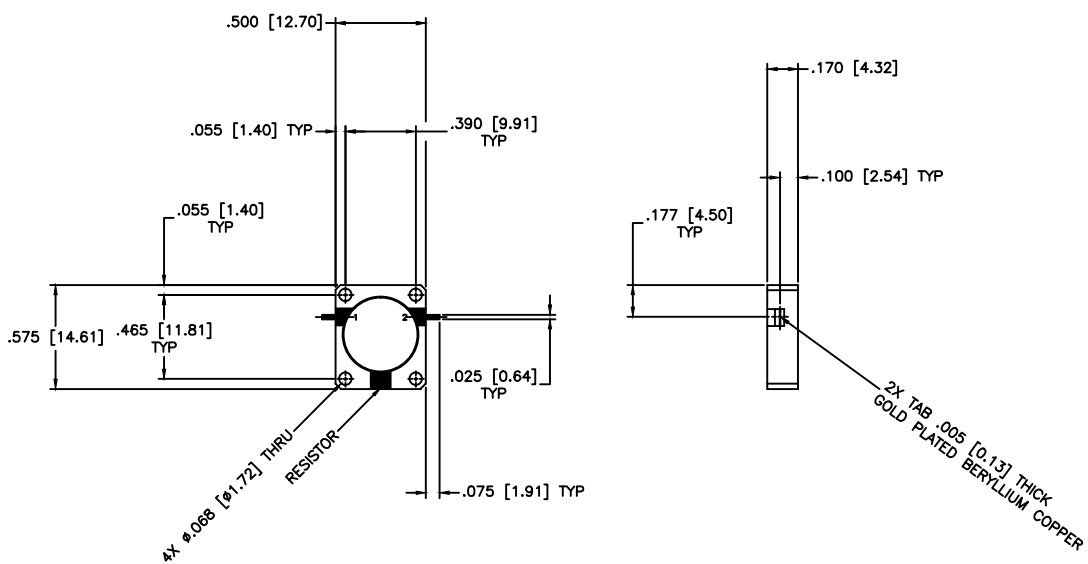


REVISIONS				
ZONE	REV	DESCRIPTION	Date	APPROVED



SPECIFICATIONS

Frequency Range: 1995–2005 MHz
 Isolation: 20dB Min.
 Insertion loss: 0.4dB Max.
 VSWR: 1.22:1 Max.
 Power Avg: 5 Watts
 Operating Temperature: -45°C to +85°C

MATERIAL:		MCLI MICROWAVE COMMUNICATIONS LABORATORIES INC. 7255 30TH AVE. N. SAINT PETERSBURG, FL 33710 TEL: (727) 344-6254 FAX: (727) 381-6116 http://www.MCLI.COM	SCALE:	N/A
			SHEET:	N/A
UNLESS OTHERWISE SPECIFIED: TOLERANCES IN (INCHES) OR [mm] (MILLIMETERS) FRACTIONS: ± 1/64 DECIMALS: ±.01 ±.005 ANGLE: ±1/2°		DRAWING TITLE: ISOLATOR		
DRAWN: Paiboon Luekhamhan DATE: 01-16-2008		PART NO.: ISN-39		
APPROVED: T. Nguyen DATE: 01-16-2008		CAGE CODE: OD2L5	SIZE: A	REV: N/A
<small>PROPRIETARY NOTING: THE INFORMATION IN THIS DRAWING IS PROPRIETARY AND SHALL NOT BE USED OR DISCLOSED WITHOUT WRITTEN PERMISSION FROM MICROWAVE COMMUNICATIONS LABORATORIES INC. (MCLI)</small> 		DWG NO.: 83041		DO NOT SCALE THE DRAWING