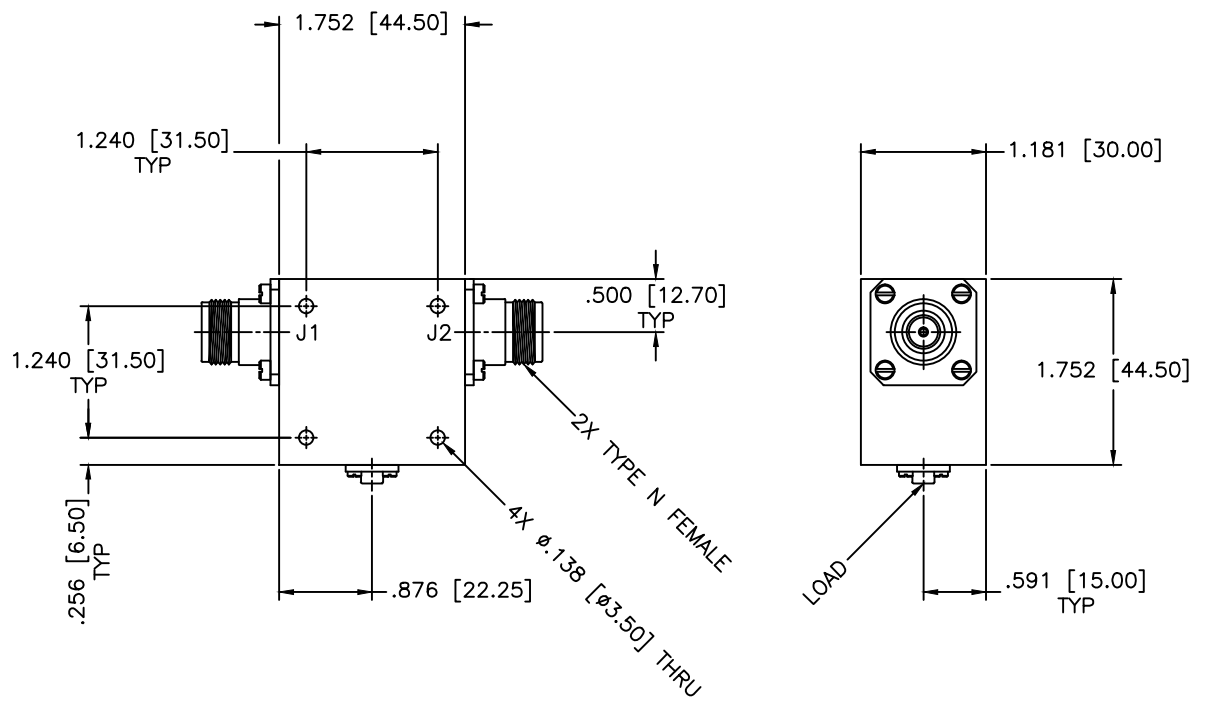


REVISIONS				
ZONE	REV	DESCRIPTION	DATE	APPROVED



SPECIFICATIONS

Operating Temperature: -54°C to +85°C
 Frequency Range: 2.40-2.50 GHz
 Isolation: 20dB Min.
 Insertion loss: 0.20dB Max.
 VSWR: 1.20:1 Max.

MATERIAL:		MCLI MICROWAVE COMMUNICATIONS LABORATORIES INC. 7255 30TH AVE. N. SAINT PETERSBURG, FL 33710 TEL: (727) 544-6254 FAX: (727) 381-0110 http://WWW.MCLI.COM		SCALE: N/A
UNLESS OTHERWISE SPECIFIED: TOLERANCES IN (INCHES) OR (mm) FRACTIONS: ± 1/64 DECIMALS: ± .02 ± .015 ANGLE: ± 1/2°		DRAWING TITLE: COAXIAL ISOLATOR		SHEET: N/A
DRAWN: Paiboon Luekhamhan	DATE: 12-02-2013	PART NO.: ISN-33/NF		
APPROVED: T. Nguyen	DATE: 12-02-2013	CAGE CODE: OD2L5	SIZE: N/A	REV: N/A
		DO NOT SCALE THE DRAWING		DWG NO.: 86480