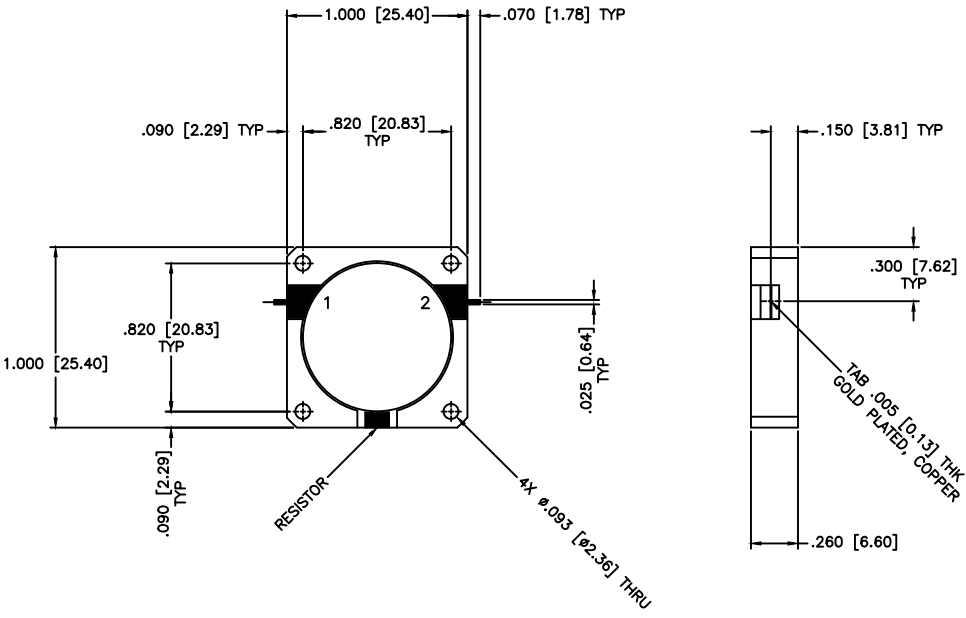


REVISIONS				
ZONE	REV	DESCRIPTION	Date	APPROVED



**SPECIFICATIONS**

Frequency Range: 995–1005 MHz  
 Isolation: 20dB Min.  
 Insertion loss: 0.3dB Max.  
 VSWR: 1.22:1 Max.  
 Power Avg: 5 Watts  
 Operating Temperature: -45°C to +85°C

MATERIAL:		<b>MCLI</b> MICROWAVE COMMUNICATIONS LABORATORIES INC. 7255 30TH AVE. N. SAINT PETERSBURG, FL 33710 TEL: (727) 344-6254 FAX: (727) 381-6116 <a href="http://www.MCLI.COM">http://www.MCLI.COM</a>	SCALE:	N/A
			SHEET:	N/A
DRAWING TITLE:		ISOLATOR		
PART NO.:		ISN-28		
DRAWN: Paiboon Luekhamhan DATE: 01-16-2008	DATE: 01-16-2008	UNLESS OTHERWISE SPECIFIED: TOLERANCES IN (INCHES) OR [mm] (MILLIMETERS) FRACTIONS: ± 1/64 DECIMALS: ± .01 ± .005 ANGLE: ± 1/2°	CAGE CODE:	OD2L5
APPROVED: T. Nguyen	DATE: 01-16-2008	PROPRIETARY NOTICE: THE INFORMATION IN THIS DRAWING IS PROPRIETARY AND SHALL NOT BE USED OR DISCLOSED WITHOUT WRITTEN PERMISSION FROM MICROWAVE COMMUNICATIONS LABORATORIES INC. (MCLI)	SIZE: A REV: N/A	DWG NO. 83040
			DO NOT SCALE THE DRAWING	