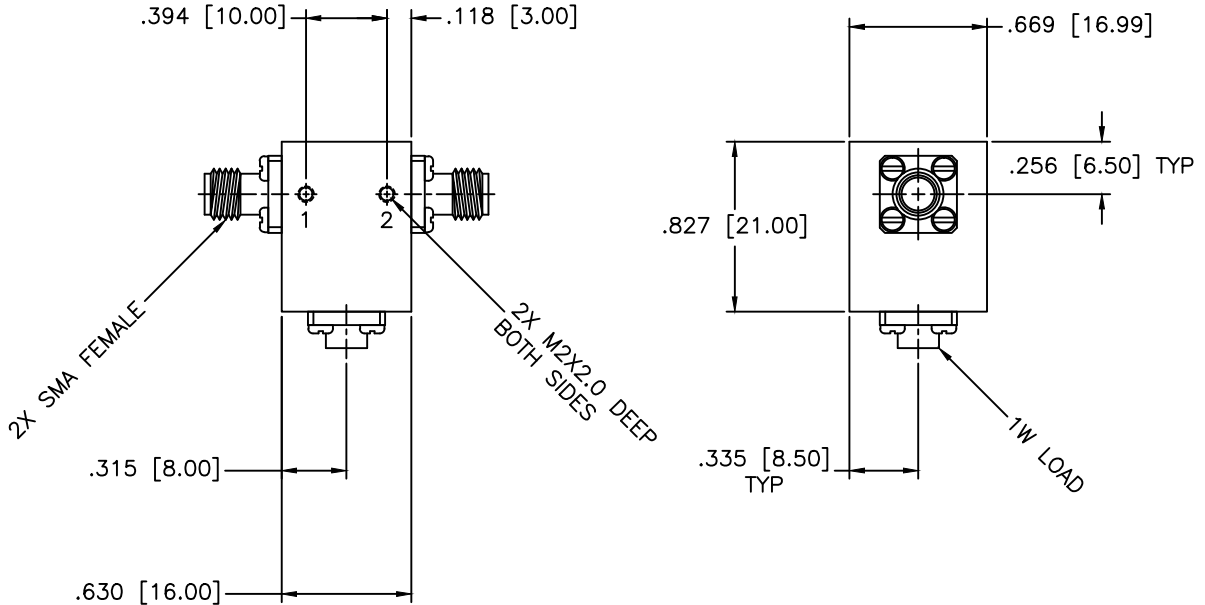


REVISIONS				
ZONE	REV	DESCRIPTION	Date	APPROVED



SPECIFICATIONS

Frequency Range: 7.5–9 GHz
 Isolation: 25dB Min.
 Insertion loss: 0.25dB Max.
 VSWR: 1.20:1 Max.
 Power Avg: 1 Watt
 Operating Temperature: 0°C to +50°C

MATERIAL:		MCLI MICROWAVE COMMUNICATIONS LABORATORIES INC. 7255 30TH AVE. N. SAINT PETERSBURG, FL 33710 TEL: (727) 344-6254 FAX: (727) 381-6116 http://WWW.MCLI.COM	SCALE:	N/A
			SHEET:	N/A
UNLESS OTHERWISE SPECIFIED: TOLERANCES IN (INCHES) OR [mm] (MILLIMETERS) FRACTIONS: ± 1/64 DECIMALS: ±.01 ±.005 ANGLE: ±1/2°		DRAWING TITLE: COAXIAL ISOLATOR		
DRAWN: Paiboon Luekhamhan		PART NO.: ISN-21		
DATE: 09-01-2011	DATE: 09-01-2011	CAGE CODE: OD2L5	SIZE: N/A	REV: N/A
APPROVED: T. Nguyen	DATE: 09-01-2011	DO NOT SCALE THE DRAWING		DWG NO.: 82371

