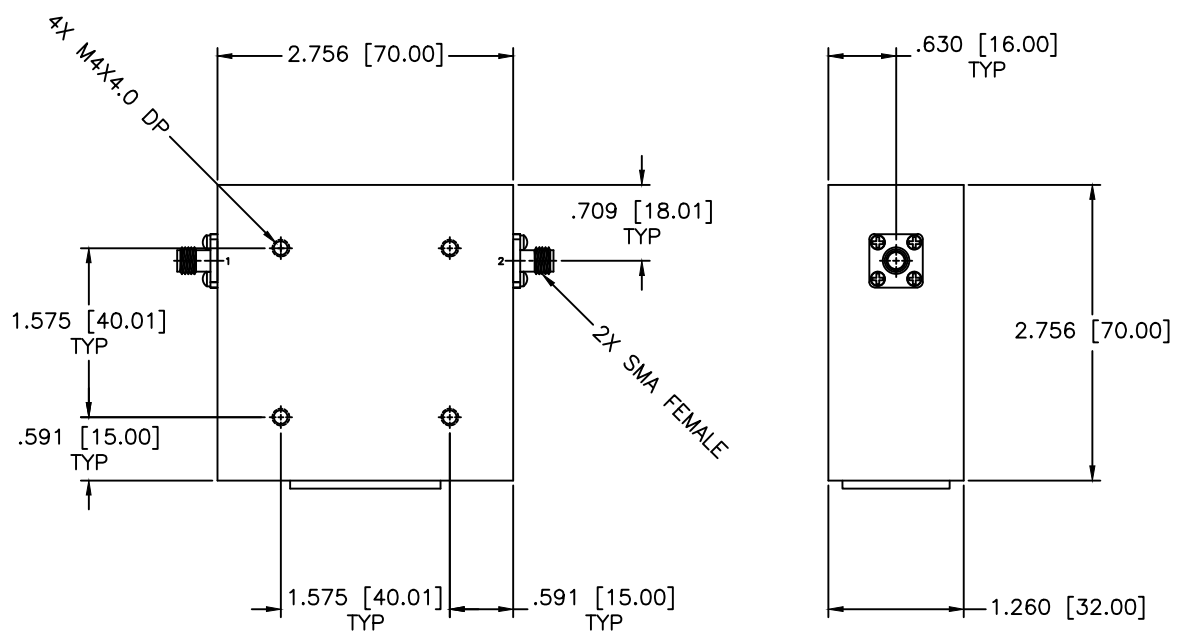


REVISIONS				
ZONE	REV	DESCRIPTION	DATE	APPROVED



MCLI MODEL NUMBER	FREQUENCY RANGE (MHz)	INSERTION LOSS (dB Max.)	REVERSE ISOLATOR (dB Min.)	VSWR Max.	FWD/REV POWER (Watts)	TEMPERATURE RANGE (Deg. C)
ISH-1	66-74	0.8	18	1.30:1	100/20	-10 to +60
ISH-2	76-84	0.8	18	1.30:1	100/20	-10 to +60
ISH-3	84-92	0.8	18	1.30:1	100/20	-10 to +60
ISH-4	88-108	1.0	18	1.30:1	100/20	-10 to +60
ISH-5	104-112	0.6	20	1.20:1	100/20	-10 to +60
ISH-6	118-138	0.6	20	1.20:1	100/20	-10 to +60
ISH-7	135-175	0.6	18	1.25:1	100/20	-10 to +60
ISH-8	140-175	0.6	20	1.20:1	100/20	-10 to +60
ISH-9	170-178	0.6	20	1.20:1	100/20	-10 to +60
ISH-10	185-215	0.6	20	1.20:1	100/20	-10 to +60
ISH-11	230-270	0.6	20	1.20:1	100/20	-10 to +60

MATERIAL:				MICROWAVE COMMUNICATIONS LABORATORIES INC. 7255 30TH AVE. N. SAINT PETERSBURG, FL 33710 TEL: (727) 544-6254 FAX: (727) 381-6116 http://www.mcli.com		SCALE: N/A	
DRAWING TITLE:		UNLESS OTHERWISE SPECIFIED: TOLERANCES IN (INCHES) OR (mm) (MILLIMETERS) FRACTIONS: ± 1/64 DECIMALS: ± .02 ± .015 ANGLE: ± 1/2°		DRAWING TITLE: LUMPED ELEMENT COAXIAL ISOLATOR		SHEET: N/A	
PART NO. ISH-X		DRAWING NO. 0D2L5		SIZE: N/A		REV: N/A	
DRAWING: Paiboon Luekhamhan APPROVED: T. Nguyen		DATE: 12-13-2012 DATE: 12-13-2012		CAGE CODE: 0D2L5		DWG NO. 86197	
				DO NOT SCALE THE DRAWING			