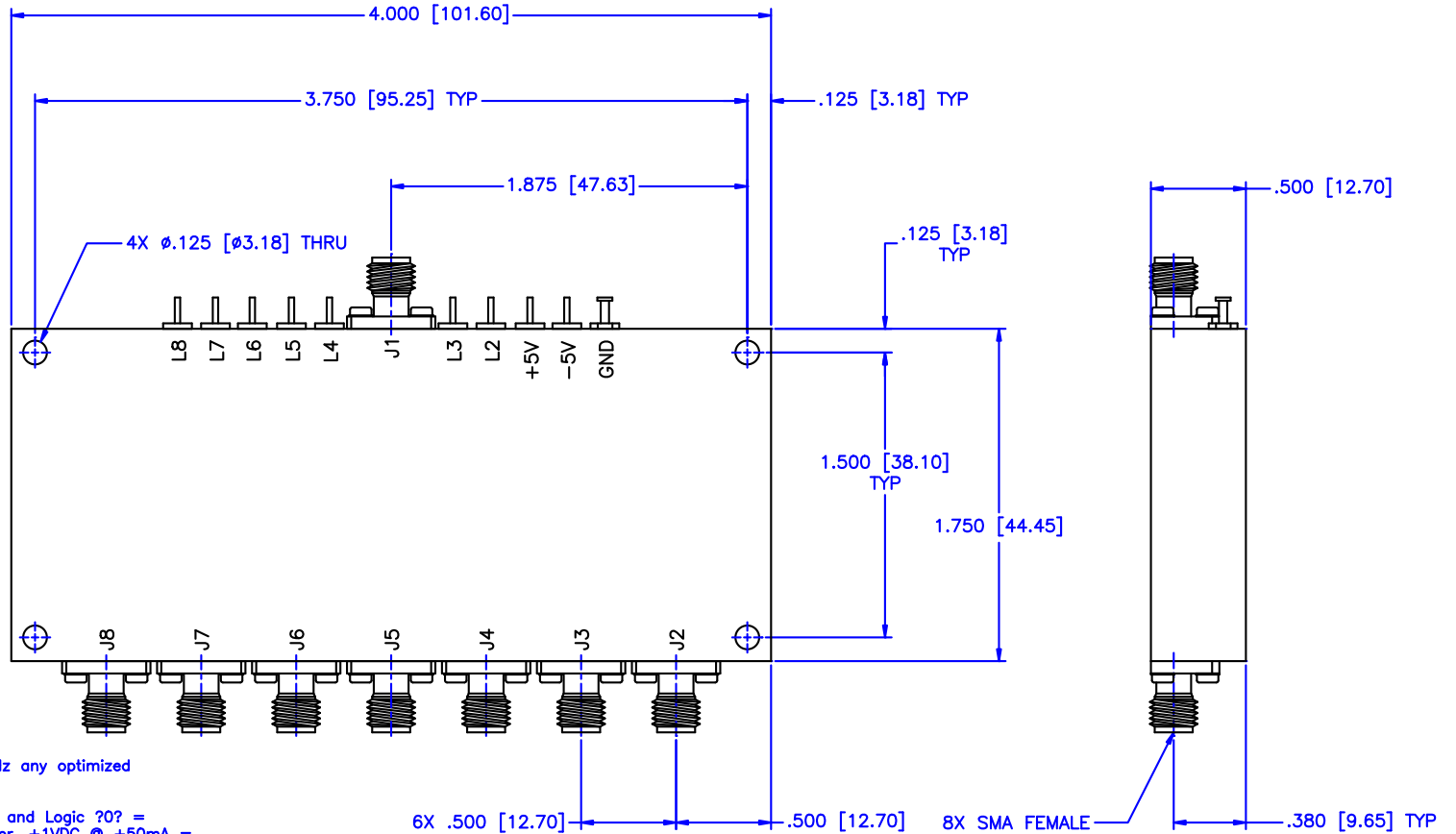


REVISIONS				
ZONE	REV	DESCRIPTION	DATE	APPROVED

**SPECIFICATIONS**

FREQUENCY RANGE: 2-18 GHz  
 INSERTION LOSS: 3.25dB MAX.  
 VSWR: 2.0:1 MAX. In 50 Ohms  
 ISOLATION: 60dB MIN.  
 RF INPUT POWER: +20dBm CW, 1Watt MAX.  
 SWITCHING SPEED: 1.0 uSec MAX.  
 POWER SUPPLY: ±5VDC @ +300/-80 mA  
 PWR/LOGIC CONNECTION: SOLDER PINS  
 CONTROL LOGIC: TTL COMPATIBLE



**PIN DIODE SWITCHES FEATURES:**

Frequency Ranges: From 100 MHz to 24 GHz any optimized bandwidth is available.

TTL Compatible Logic: Logic ?1? = Isolation and Logic ?0? = Insertion Loss. For switches without TTL driver, +1VDC @ +50mA = Isolation and -1VDC @ -50mA = Insertion Loss. For logic options, please consult factory.

High Speed Switching: Switches listed are measured from 50% TTL to 10% / 90% RF.

Low DC Power Consumption: Switches with TTL drivers require ± 5VDC @ +300/ -80mA.

High RF Power Handling: For power levels greater than listed please consult factory.

Absorptive Switches: On these models the J2 ? J8 ports are NON-REFLECTIVE.

Standard Interfaces: RF port connectors are ?SMA?, female per MIL-C-39012. DC/LOGIC connections are solder terminals. Call factory for optional connectors.

Matched Phase & Amplitude: Models listed are available with matched ports. Otherwise add .25 dB loss to ports J2 & J8.

MATERIAL:			MICROWAVE COMMUNICATIONS LABORATORIES INC. 7255 30TH AVE. N. SAINT PETERSBURG, FL 33710 TEL: (727) 344-6254 FAX: (727) 381-6116 http://WWW.MCLI.COM		SCALE:	N/A
DRAWN: Paiboon Luekhamhan			UNLESS OTHERWISE SPECIFIED: TOLERANCES IN (INCHES) OR [mm] (MILLIMETERS) FRACTIONS: ± 1/64 DECIMALS: ±.01 ±.005 ANGLE: ±1/2°	DRAWING TITLE:		SHEET: N/A
DATE: 12-16-2010		PROPRIETARY NOTICE: THE INFORMATION IN THIS DRAWING IS PROPRIETARY AND SHALL NOT BE USED OR DISCLOSED WITHOUT WRITTEN PERMISSION FROM MICROWAVE COMMUNICATIONS LABORATORIES INC. (MCLI)	PART NO.:		D7-9/REF	
APPROVED: T. Nguyen			DATE: 12-16-2010	CAGE CODE: OD2L5	SIZE: A	REV: A
			DO NOT SCALE THE DRAWING			