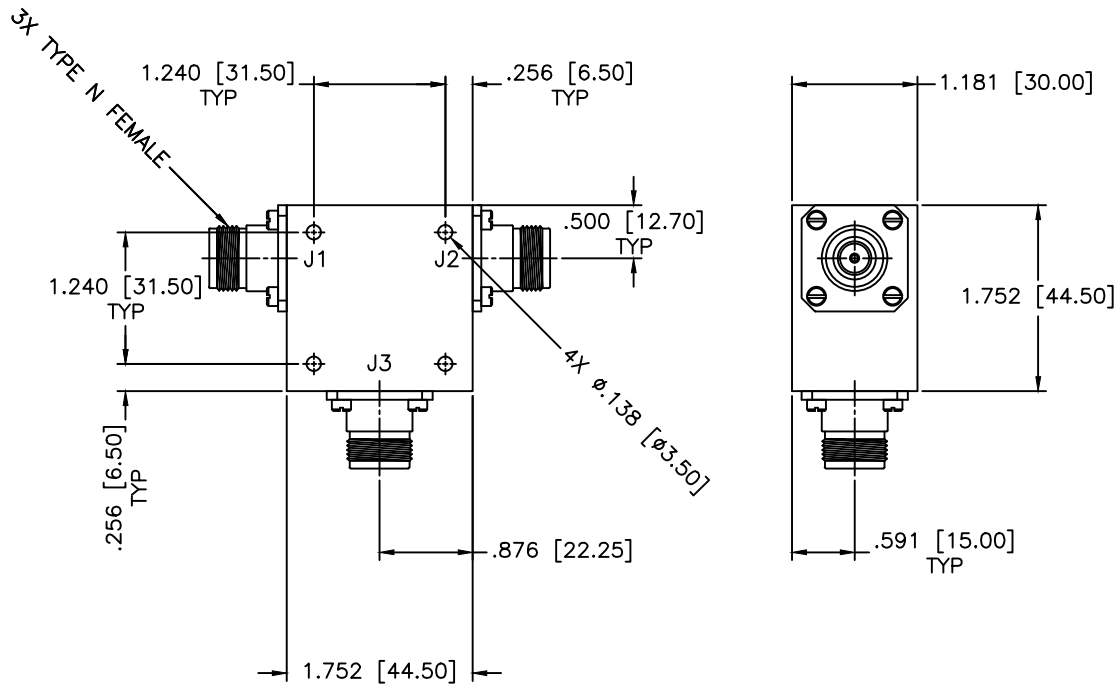


REVISIONS				
ZONE	REV	DESCRIPTION	DATE	APPROVED



**SPECIFICATIONS**

Operating Temperature: -54°C to +85°C  
 Frequency Range: 2.40-2.50 GHz  
 Isolation: 20dB Min.  
 Insertion loss: 0.20dB Max.  
 VSWR: 1.20:1 Max.  
 Power Rating at Room Temperature +25°C  
 Forward Power: 300 Watts  
 Reverse Power: 500 Watts

MATERIAL:				MICROWAVE COMMUNICATIONS LABORATORIES INC. 7250 30TH AVE. N. SAINT PETERSBURG, FL 33710 TEL: (727) 544-6254 FAX: (727) 381-0110 http://www.mcli.com		SCALE:	N/A
DRAWING TITLE:		UNLESS OTHERWISE SPECIFIED: TOLERANCES IN (INCHES) OR (MILLIMETERS) FRACTIONS: $\pm$ 1/64 DECIMALS: $\pm$ .02 $\pm$ .015 ANGLE: $\pm$ 1/2°		DRAWING TITLE:		SCALE:	N/A
DRAWING:		THE INFORMATION ON THIS DRAWING IS PROPRIETARY AND SHALL NOT BE USED OR DISCLOSED WITHOUT PERMISSION FROM MICROWAVE COMMUNICATIONS LABORATORIES INC. (MCLI)		DRAWING TITLE:		SCALE:	N/A
PART NO.:		COAXIAL CIRCULATOR		PART NO.:		SCALE:	N/A
APPROVED:		DATE:		PART NO.:		SCALE:	N/A
T. Nguyen		01-15-2013		CSN-33/NF		SCALE:	N/A
DATE:		DATE:		CAGE CODE:		SIZE:	N/A
01-15-2013		01-15-2013		OD2L5		REV:	N/A
				DO NOT SCALE THE DRAWING		DWG NO.:	86201