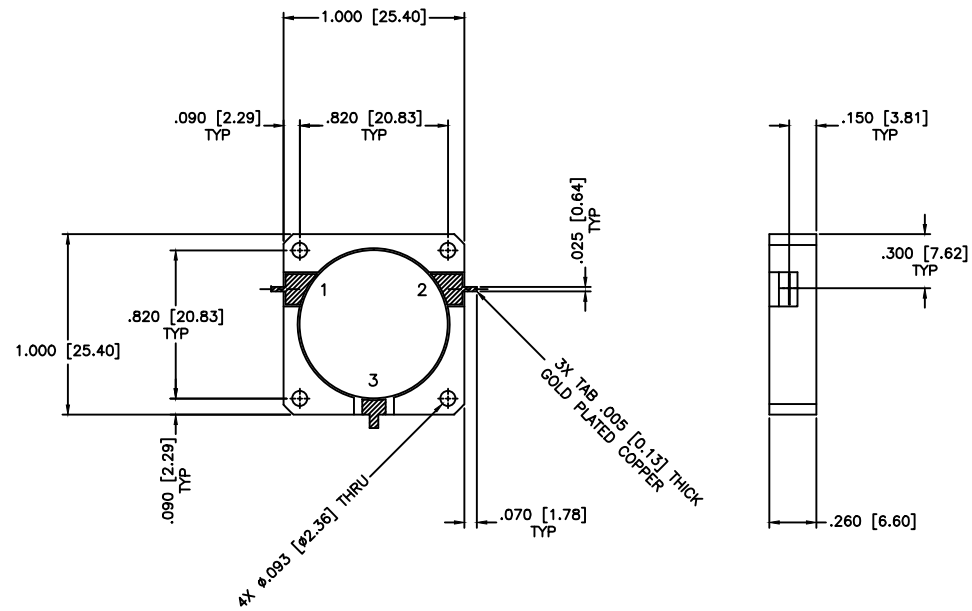

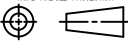


REVISIONS				
ZONE	REV	DESCRIPTION	Date	APPROVED



SPECIFICATIONS

Frequency Range: 995–1005 MHz
 Isolation: 20dB Min.
 Insertion loss: 0.3dB Max.
 VSWR: 1.22:1 Max.
 Operating Temperature: –45°C to +85°C
 Circulator Power: 50W

MATERIAL:		 MICROWAVE COMMUNICATIONS LABORATORIES INC. 7255 30TH AVE. N. SAINT PETERSBURG, FL 33710 TEL: (727) 344-6254 FAX: (727) 381-6116 http://www.MCLI.COM		SCALE:	N/A
UNLESS OTHERWISE SPECIFIED: TOLERANCES IN (INCHES) OR [mm] (MILLIMETERS) FRACTIONS: ± 1/64 DECIMALS: ± .01 ± .005 ANGLE: ± 1/2°		DRAWING TITLE:			CIRCULATOR
		PART NO.:			CSN-28
DRAWN: Paiboon Luekhamhan	DATE: 05-25-2010	<small>PROPRIETARY NOTICES</small> <small>THE INFORMATION IN THIS DRAWING IS PROPRIETARY AND SHALL NOT BE USED OR DISCLOSED WITHOUT WRITTEN PERMISSION FROM MICROWAVE COMMUNICATIONS LABORATORIES INC. (MCLI)</small>		CAGE CODE:	OD2L5
APPROVED: T. Nguyen	DATE: 05-25-2010			SIZE: A REV: N/A DO NOT SCALE THE DRAWING	DWG NO. 84887