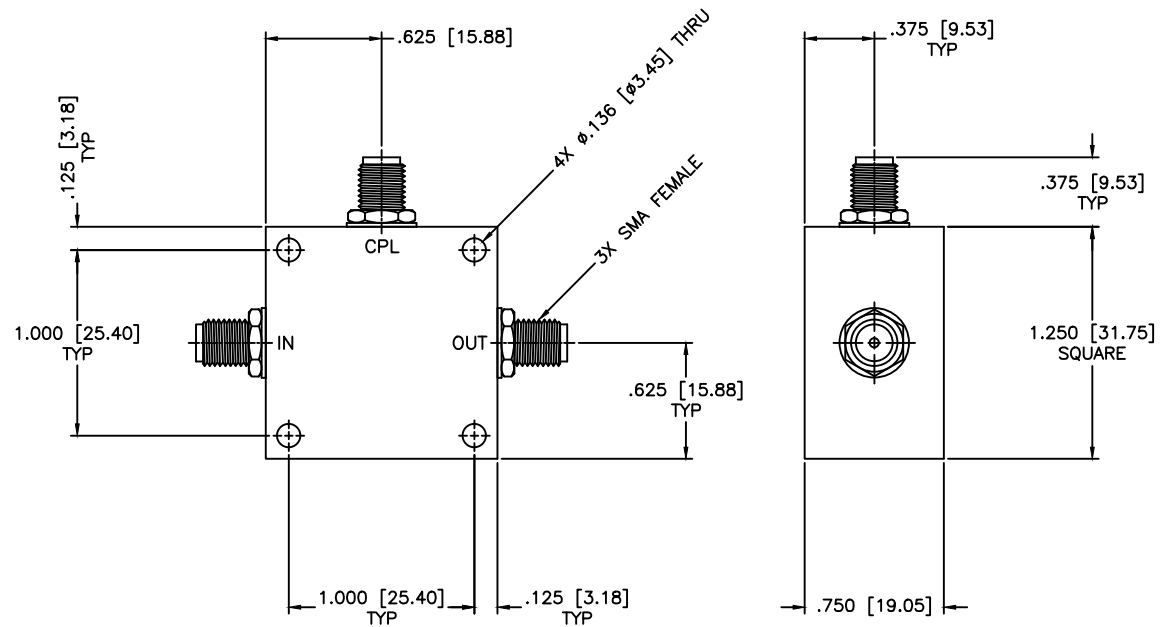


REVISIONS				
ZONE	REV	DESCRIPTION	DATE	APPROVED



SPECIFICATIONS

- Frequency Range: 1–2000 MHz
- Coupling: 10±1.0dB
- Insertion Loss: 2.5dB Max.
- Flatness: ±1.0dB
- Directivity: 18dB Min.
- VSWR: 1.30:1 Max.
- Operating Temperature: -55°C to +85°C

MATERIAL:			MICROWAVE COMMUNICATIONS LABORATORIES INC. 7255 30TH AVE. N. SAINT PETERSBURG, FL 33710 TEL: (727) 344-6254 FAX: (727) 381-6116 http://WWW.MCLI.COM		SCALE:	N/A
			UNLESS OTHERWISE SPECIFIED: TOLERANCES IN (INCHES) OR [mm] (MILLIMETERS) FRACTIONS: ± 1/64 DECIMALS: ±.01 ±.005 ANGLE: ±1/2°		SHEET:	N/A
DRAWN:		DRAWING TITLE:		PART NO.		
Paiboon Luekhamhan		DIRECTIONAL COUPLER		CL6-10		
DATE:		CAGE CODE:		SIZE:	REV:	DWG NO.
09-16-2005		OD2L5		A	N/A	82408
APPROVED:		THIRD ANGLE PROJECTION		DO NOT SCALE THE DRAWING		
T. Nguyen						