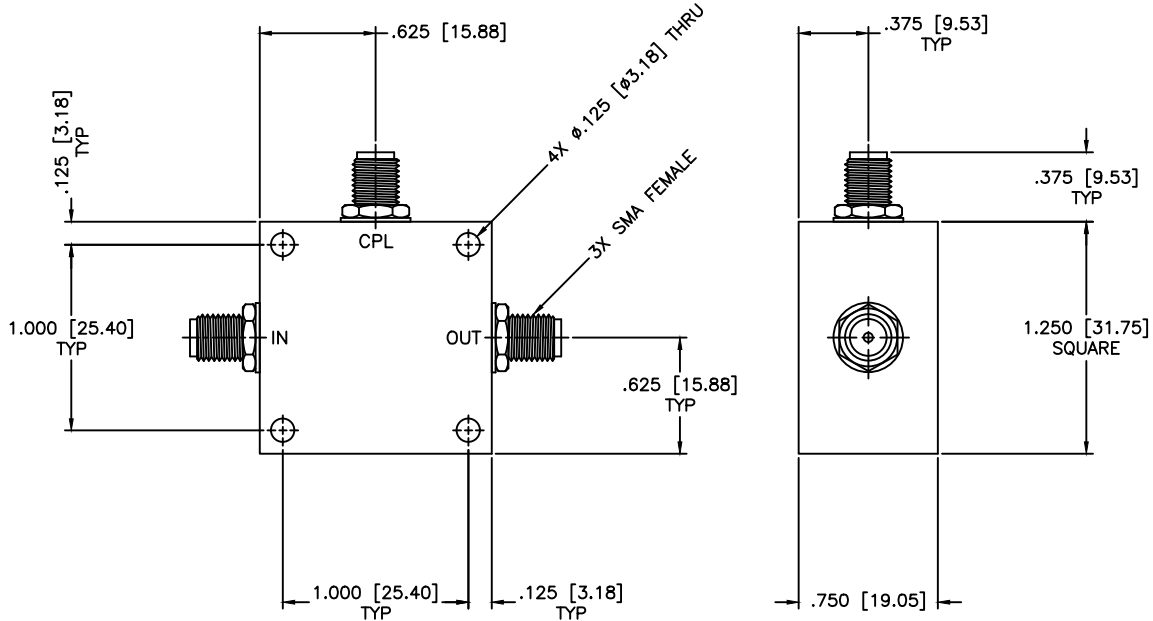


REVISIONS				
ZONE	REV	DESCRIPTION	DATE	APPROVED



**SPECIFICATIONS**

Frequency Range: 5–1000 MHz  
 Coupling: 30±0.5dB  
 Insertion Loss: 1.2dB Max.  
 Flatness: ±0.5dB  
 Directivity: 20dB Min.  
 VSWR: 1.30:1 Max.  
 Operating Temperature: –55°C to +85°C

MATERIAL:		MICROWAVE COMMUNICATIONS LABORATORIES INC. 7255 30TH AVE. N. SAINT PETERSBURG, FL 33710 TEL: (727) 344-6254 FAX: (727) 381-6116 http://WWW.MCLI.COM	SCALE:	N/A
			SHEET:	N/A
		UNLESS OTHERWISE SPECIFIED: TOLERANCES IN (INCHES) OR [mm] (MILLIMETERS) FRACTIONS: ± 1/64 DECIMALS: ±.01 ±.005 ANGLE: ±1/2°	DRAWING TITLE: <b>DIRECTIONAL COUPLER</b>	
		PROPRIETARY NOTICE: THE INFORMATION IN THIS DRAWING IS PROPRIETARY AND SHALL NOT BE USED OR DISCLOSED WITHOUT WRITTEN PERMISSION FROM MICROWAVE COMMUNICATIONS LABORATORIES INC. (MCLI)	PART NO. <b>CL5-30</b>	
DRAWN:	DATE:	THIRD ANGLE PROJECTION 	CAGE CODE:	SIZE:
Paiboon Luekhamhan	10-04-1999		OD2L5	A
APPROVED:	DATE:		REV:	DWG NO.
T. Nguyen	10-04-1999		N/A	81429
			DO NOT SCALE THE DRAWING	