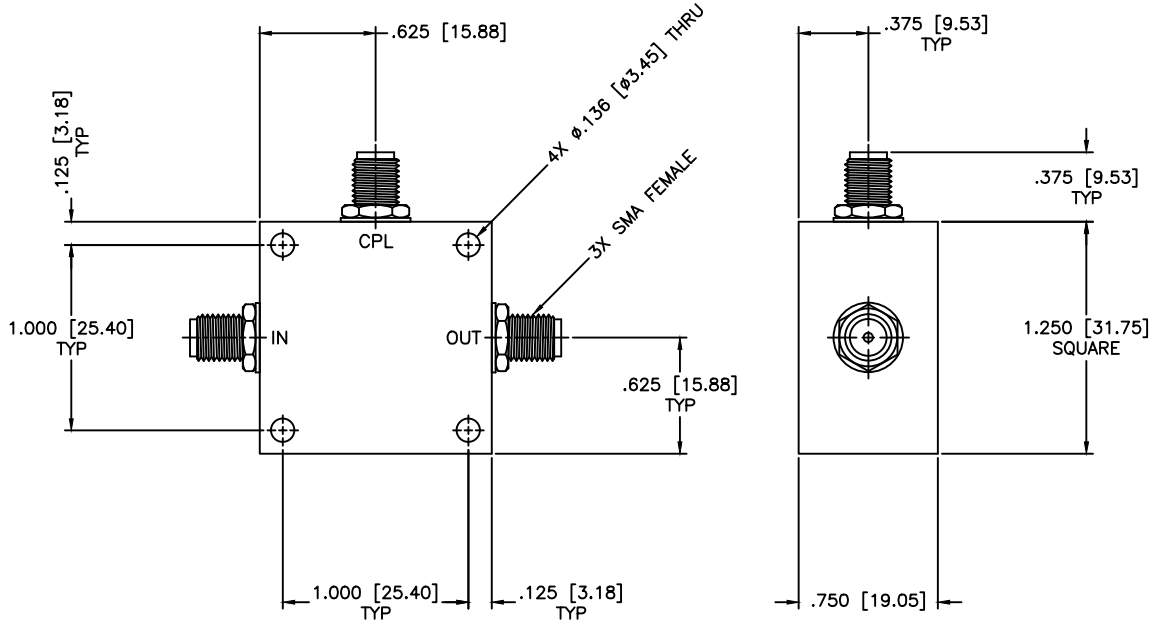


REVISIONS				
ZONE	REV	DESCRIPTION	DATE	APPROVED



**SPECIFICATIONS**

Frequency Range: 5–1000 MHz  
 VSWR: 1.31:1 TYP  
 Coupling: 20±1.0dB  
 Coupling Flatness: ±0.5dB  
 Input Power: 1 Watts  
 Impedance: 50 Ohms  
 Operating Temperature: –55°C to +100°C

Directivity		
MHz	Typ.	Max.
5–10	35 dB	28 dB
10–500	32 dB	25 dB
500–1000	24 dB	18 dB

MATERIAL:			MICROWAVE COMMUNICATIONS LABORATORIES INC. 7255 30TH AVE. N. SAINT PETERSBURG, FL 33710 TEL: (727) 344-6254 FAX: (727) 381-6116 http://WWW.MCLI.COM		SCALE: N/A
			UNLESS OTHERWISE SPECIFIED: TOLERANCES IN (INCHES) OR [mm] (MILLIMETERS) FRACTIONS: ± 1/64 DECIMALS: ±.01 ±.005 ANGLE: ±1/2°		SHEET: N/A
		DRAWING TITLE: DIRECTIONAL COUPLER			
		PART NO. CL5-20			
DRAWN: Paiboon Luekhamhan	DATE: 10-29-2007	PROPRIETARY NOTICE: THE INFORMATION IN THIS DRAWING IS PROPRIETARY AND SHALL NOT BE USED OR DISCLOSED WITHOUT WRITTEN PERMISSION FROM MICROWAVE COMMUNICATIONS LABORATORIES INC. (MCLI)		CAGE CODE: OD2L5	SIZE: A
APPROVED: T. Nguyen	DATE: 10-29-2007	THIRD ANGLE PROJECTION 		REV: B	DWG NO. 82963
DO NOT SCALE THE DRAWING					