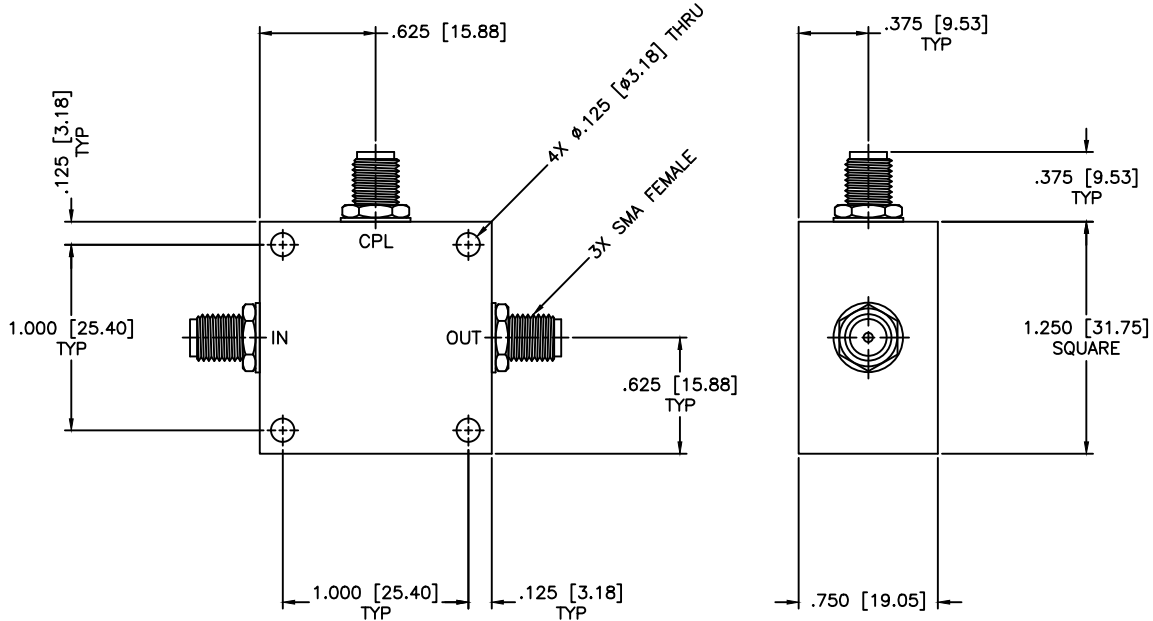


REVISIONS				
ZONE	REV	DESCRIPTION	DATE	APPROVED



SPECIFICATIONS

- Frequency Range: 1–500 MHz
- Coupling: 30±0.5dB
- Insertion Loss: 0.7dB Max.
- Flatness: ±0.25dB
- Directivity: 20dB Min.
- VSWR: 1.30:1 Max.
- Operating Temperature: –55°C to +85°C

MATERIAL:			MICROWAVE COMMUNICATIONS LABORATORIES INC. 7255 30TH AVE. N. SAINT PETERSBURG, FL 33710 TEL: (727) 344-6254 FAX: (727) 381-6116 http://WWW.MCLI.COM		SCALE:	N/A
			UNLESS OTHERWISE SPECIFIED: TOLERANCES IN (INCHES) OR [mm] (MILLIMETERS) FRACTIONS: ± 1/64 DECIMALS: ±.01 ±.005 ANGLE: ±1/2°		DRAWING TITLE:	DIRECTIONAL COUPLER
		PROPRIETARY NOTICE: THE INFORMATION IN THIS DRAWING IS PROPRIETARY AND SHALL NOT BE USED OR DISCLOSED WITHOUT WRITTEN PERMISSION FROM MICROWAVE COMMUNICATIONS LABORATORIES INC. (MCLI)		PART NO.	CL4-30	
DRAWN:	DATE:		CAGE CODE:	SIZE:	REV:	DWG NO.
Paiboon Luekhamhan	10-04-1999		OD2L5	A	N/A	81423
APPROVED:	DATE:	DO NOT SCALE THE DRAWING				
T. Nguyen	10-04-1999					