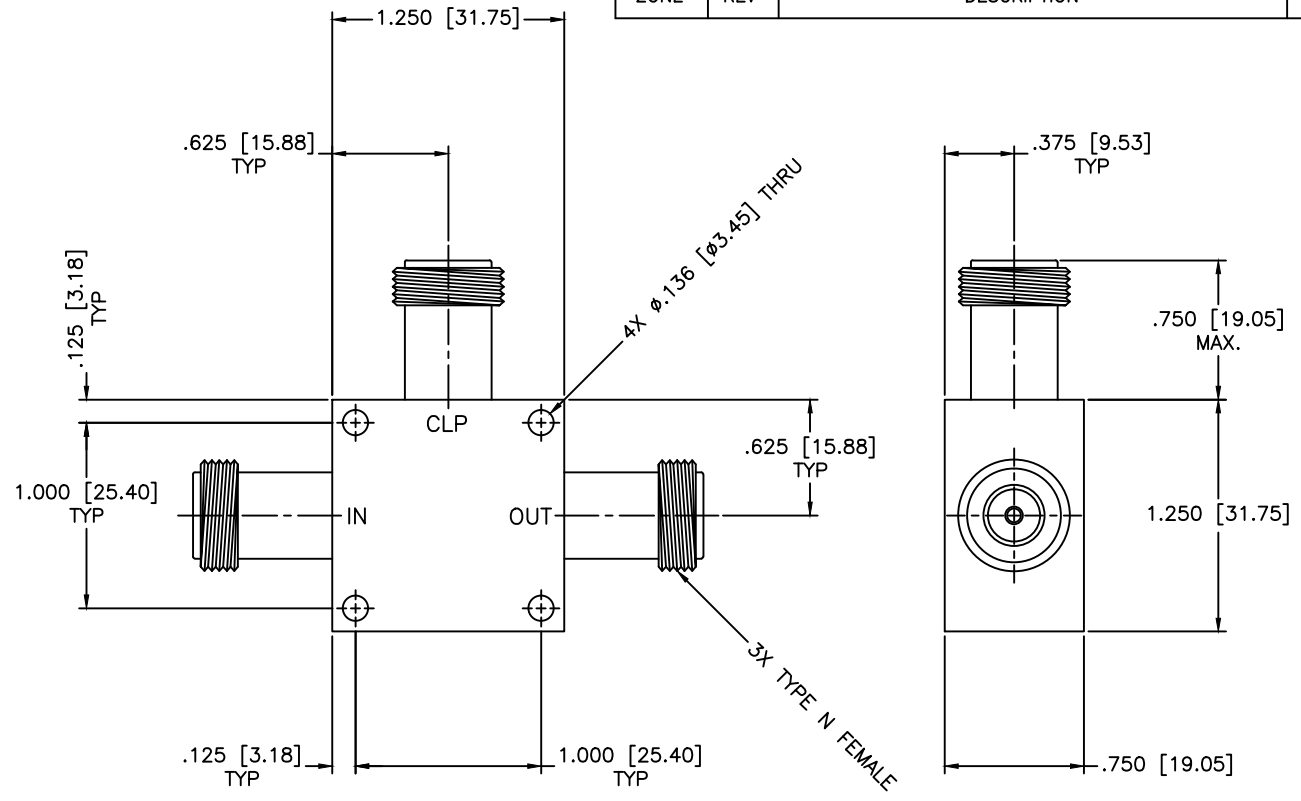


REVISIONS				
ZONE	REV	DESCRIPTION	DATE	APPROVED



SPECIFICATIONS

Frequency Range: 225–400 MHz
 Coupling: 20±1.0dB Nom.
 VSWR: 1.20:1 Typ. 1.35:1 Max.
 Coupling Flatness: ±0.5dB
 Mainline Loss: 0.2dB Min. 0.4dB Max.
 Directivity: 25dB Typ. 18dB Min.
 Input Power: 50 Watts CW
 Impedance: 50 Ohms
 Operating Temperature Range: -40°C to +85°C

MATERIAL:			MICROWAVE COMMUNICATIONS LABORATORIES INC. 7255 30TH AVE. N. SAINT PETERSBURG, FL 33710 TEL: (727) 344-6254 FAX: (727) 381-6116 http://WWW.MCLI.COM		SCALE:	N/A
			UNLESS OTHERWISE SPECIFIED: TOLERANCES IN (INCHES) OR [mm] (MILLIMETERS) FRACTIONS: ± 1/64 DECIMALS: ±.01 ±.005 ANGLE: ±1/2°	DRAWING TITLE:		SHEET:
		PROPRIETARY NOTICE: THE INFORMATION IN THIS DRAWING IS PROPRIETARY AND SHALL NOT BE USED OR DISCLOSED WITHOUT WRITTEN PERMISSION FROM MICROWAVE COMMUNICATIONS LABORATORIES INC. (MCLI)	PART NO.		DIRECTIONAL COUPLER	
DRAWN: Paiboon Luekhamhan	DATE: 02-21-2017	THIRD ANGLE PROJECTION 	CAGE CODE:		SIZE:	A
APPROVED: T. Nguyen	DATE: 02-21-2017		CL27-20/NF		REV:	N/A
			OD2L5	DO NOT SCALE THE DRAWING		86688