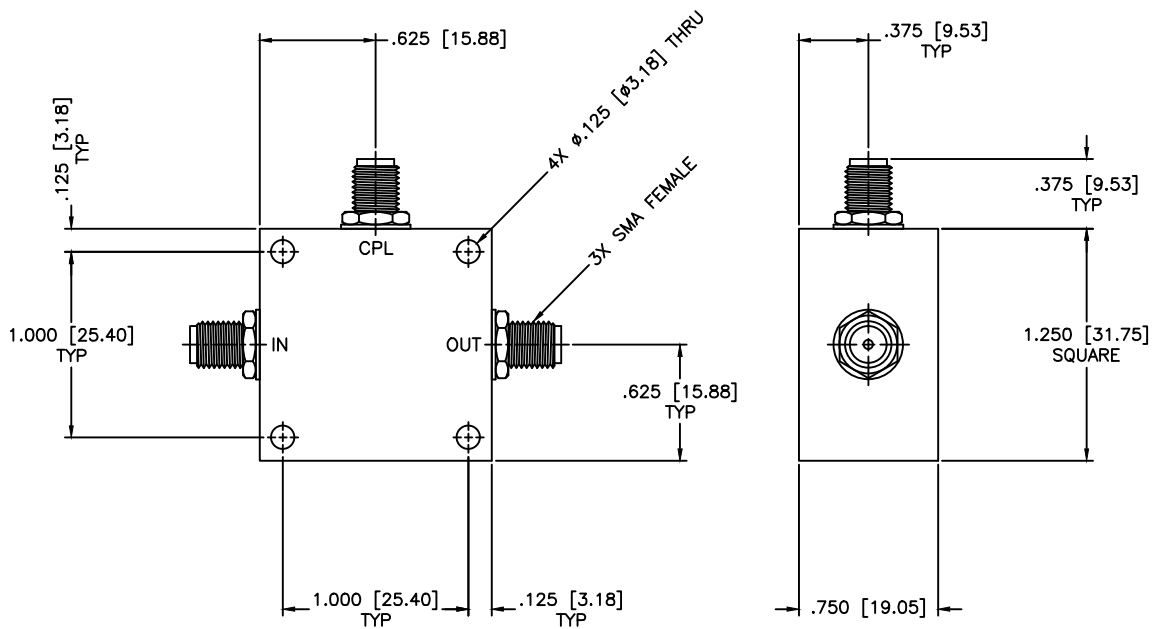


REVISIONS				
ZONE	REV	DESCRIPTION	DATE	APPROVED



**SPECIFICATIONS**

- Frequency Range: 200–1300 MHz
- Coupling:  $6.2 \pm 0.5$  dB
- Mainline Insertion Loss: 2.5 dB Max.
- Flatness:  $\pm 0.9$  dB
- Directivity: 17 dB Typ, 10 dB Min.
- VSWR: 1.30:1 Max.
- Operating Temperature:  $-40^\circ\text{C}$  to  $+85^\circ\text{C}$

MATERIAL:	
DRAWN: Paiboon Luekhamhan	DATE: 08-30-2002
APPROVED: T. Nguyen	DATE: 08-30-2002

	MICROWAVE COMMUNICATIONS LABORATORIES INC. 7255 30TH AVE. N. SAINT PETERSBURG, FL 33710 TEL: (727) 344-6254 FAX: (727) 381-6116 http://WWW.MCLI.COM		SCALE: N/A
	UNLESS OTHERWISE SPECIFIED: TOLERANCES IN (INCHES) OR [mm] (MILLIMETERS) FRACTIONS: $\pm 1/64$ DECIMALS: $\pm 0.01 \pm 0.005$ ANGLE: $\pm 1/2^\circ$		SHEET: N/A
DRAWING TITLE: <b>DIRECTIONAL COUPLER</b>		PART NO. CL17-6	
PROPRIETARY NOTICE: THE INFORMATION IN THIS DRAWING IS PROPRIETARY AND SHALL NOT BE USED OR DISCLOSED WITHOUT WRITTEN PERMISSION FROM MICROWAVE COMMUNICATIONS LABORATORIES INC. (MCLI)		CAGE CODE: OD2L5	SIZE: A REV: N/A DWG NO.: 85068
THIRD ANGLE PROJECTION 		DO NOT SCALE THE DRAWING	