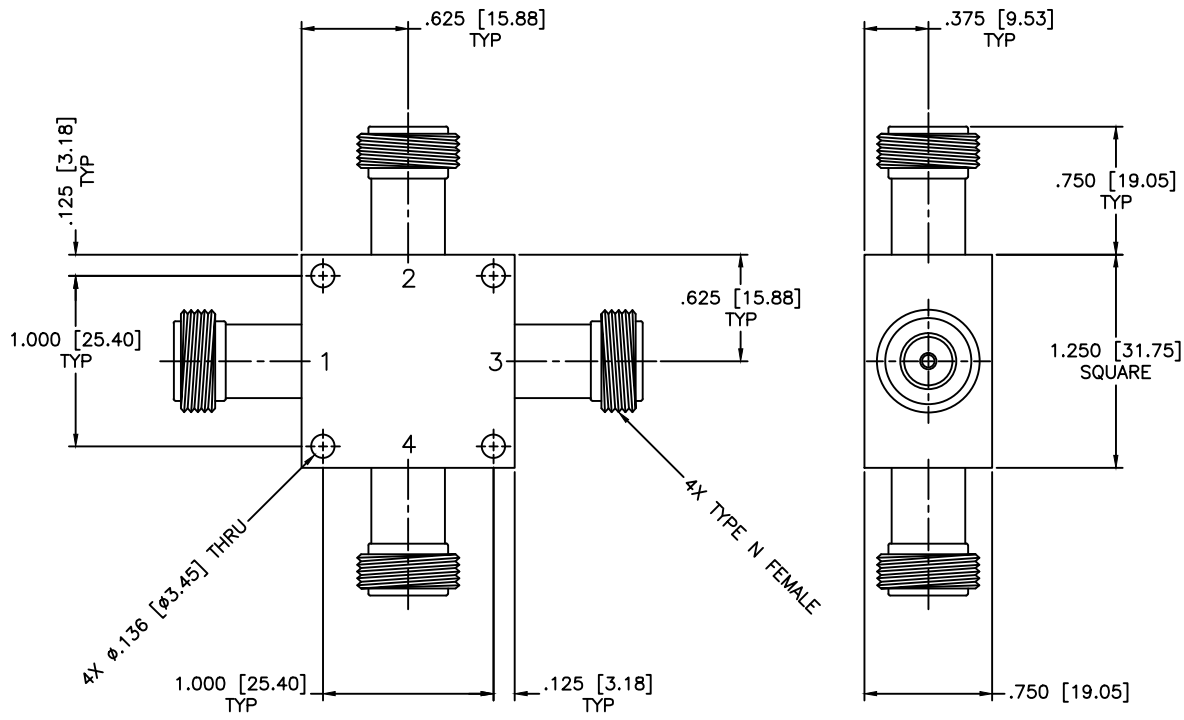


REVISIONS				
ZONE	REV	DESCRIPTION	DATE	APPROVED



SPECIFICATIONS

- FREQUENCY RANGE: 10–1000 MHz
- INPUT POWER: 1 Watt (CW)
- MAINLINE LOSS: 1.5dB Max.
- (LB/MB/UB) 0.2dB/1.0dB/1.5dB (Max.)
- VSWR: 1.30:1 Max.
- COUPLING FLATNESS: ±1.0dB
- DIRECTIVITY: 15dB (Min.) 30dB(Typ)
- COUPLING: 20±1.0dB (Nom)

MATERIAL:			MICROWAVE COMMUNICATIONS LABORATORIES INC. 7255 30TH AVE. N. SAINT PETERSBURG, FL 33710 TEL: (727) 344-6254 FAX: (727) 381-6116 http://WWW.MCLI.COM		SCALE: N/A
UNLESS OTHERWISE SPECIFIED: TOLERANCES IN (INCHES) OR [mm] (MILLIMETERS) FRACTIONS: ± 1/64 DECIMALS: ±.01 ±.005 ANGLE: ±1/2°			DRAWING TITLE: BI-DIRECTIONAL COUPLER		SHEET: N/A
DRAWN: Paiboon Luexhamhan		DATE: 02-21-2006		PART NO. CL15-20/NF	
APPROVED: T. Nguyen		DATE: 02-21-2006		CAGE CODE: OD2L5	SIZE: N/A REV: N/A DWG NO.: 82497
		PROPRIETARY NOTICE: THE INFORMATION IN THIS DRAWING IS PROPRIETARY AND SHALL NOT BE USED OR DISCLOSED WITHOUT WRITTEN PERMISSION FROM MICROWAVE COMMUNICATIONS LABORATORIES INC. (MCLI)		DO NOT SCALE THE DRAWING	