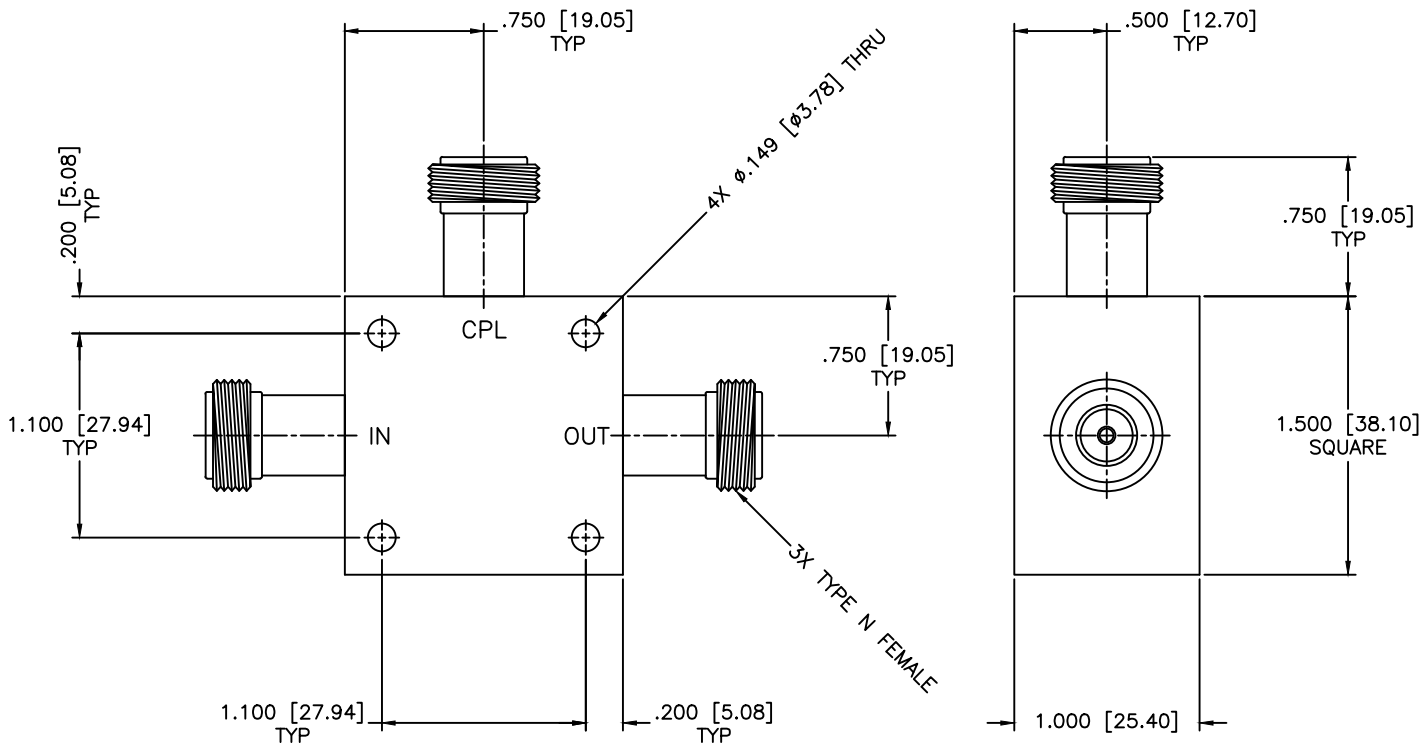


REVISIONS				
ZONE	REV	DESCRIPTION	DATE	APPROVED



SPECIFICATIONS

Frequency Range: 0.1–10 MHz
 Coupling: 30 ± 0.5 dB
 Insertion Loss: 0.4 dB Max.
 Flatness: ± 0.25 dB
 Directivity: 20 dB Min.
 VSWR: 1.20:1 Max.
 Operating Temperature: -55°C to $+85^{\circ}\text{C}$

MATERIAL:		MCLI MICROWAVE COMMUNICATIONS LABORATORIES INC. 7255 30TH AVE. N. SAINT PETERSBURG, FL 33710 TEL: (727) 344-6254 FAX: (727) 381-6116 http://WWW.MCLI.COM	SCALE:	N/A			
			SHEET:	N/A			
		UNLESS OTHERWISE SPECIFIED: TOLERANCES IN (INCHES) OR [mm] (MILLIMETERS) FRACTIONS: $\pm 1/64$ DECIMALS: $\pm 0.01 \pm 0.005$ ANGLE: $\pm 1/2^{\circ}$	DRAWING TITLE: DIRECTIONAL COUPLER				
		PROPRIETARY NOTICE: THE INFORMATION IN THIS DRAWING IS PROPRIETARY AND SHALL NOT BE USED OR DISCLOSED WITHOUT WRITTEN PERMISSION FROM MICROWAVE COMMUNICATIONS LABORATORIES INC. (MCLI)	PART NO. CL1-30/NF				
DRAWN: Paiboon Luekhamhan	DATE: 11-09-1997	THIRD ANGLE PROJECTION 	CAGE CODE:	OD2L5			
APPROVED: T. Nguyen	DATE: 11-09-1997		SIZE:	A	REV:	N/A	DWG NO.
			DO NOT SCALE THE DRAWING				