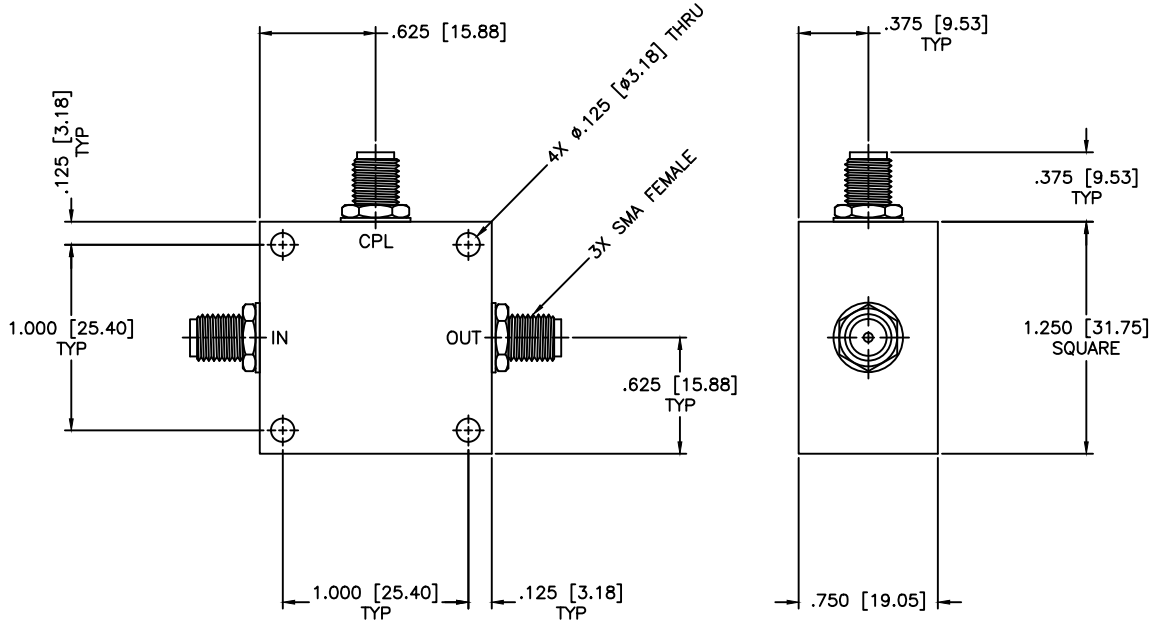


REVISIONS				
ZONE	REV	DESCRIPTION	DATE	APPROVED



SPECIFICATIONS

Frequency Range: 0.1–10 MHz
 Coupling: 20±0.5dB
 Insertion Loss: 0.4dB Max.
 Flatness: ±0.25dB
 Directivity: 20dB Min.
 VSWR: 1.20:1 Max.
 Operating Temperature: -55°C to +85°C

MATERIAL:			MICROWAVE COMMUNICATIONS LABORATORIES INC. 7255 30TH AVE. N. SAINT PETERSBURG, FL 33710 TEL: (727) 344-6254 FAX: (727) 381-6116 http://WWW.MCLI.COM		SCALE:	N/A
			UNLESS OTHERWISE SPECIFIED: TOLERANCES IN (INCHES) OR [mm] (MILLIMETERS) FRACTIONS: ± 1/64 DECIMALS: ±.01 ±.005 ANGLE: ±1/2°		SHEET:	N/A
DRAWN:		DRAWING TITLE:		DIRECTIONAL COUPLER		
DATE:		PART NO.				
APPROVED:		CAGE CODE:		CL1-20		
DATE:		SIZE:		A		
THIRD ANGLE PROJECTION		REV:		N/A		
DRAWN: Paiboon Luekhamhan DATE: 11-09-1997		DWG NO.: 80339		DO NOT SCALE THE DRAWING		
APPROVED: T. Nguyen DATE: 11-09-1997		CAGE CODE: OD2L5				