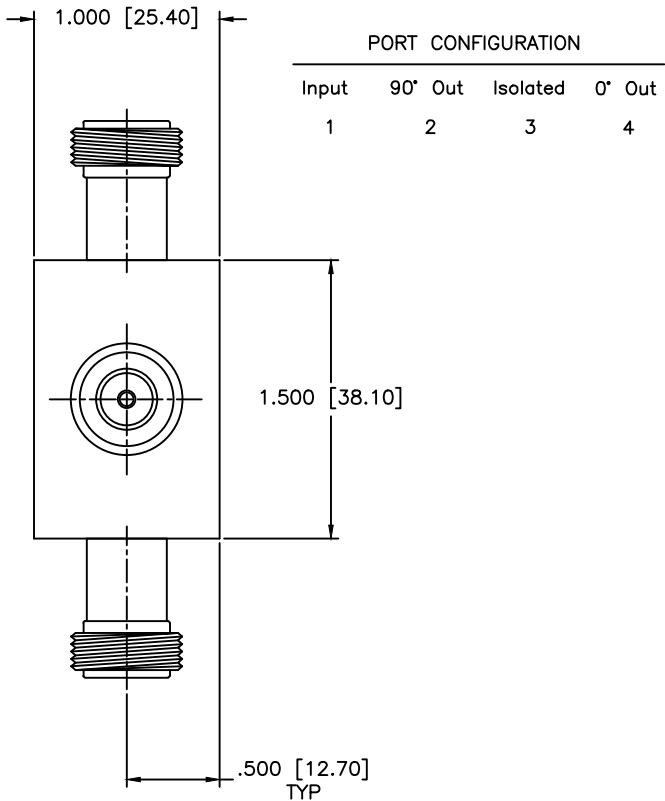
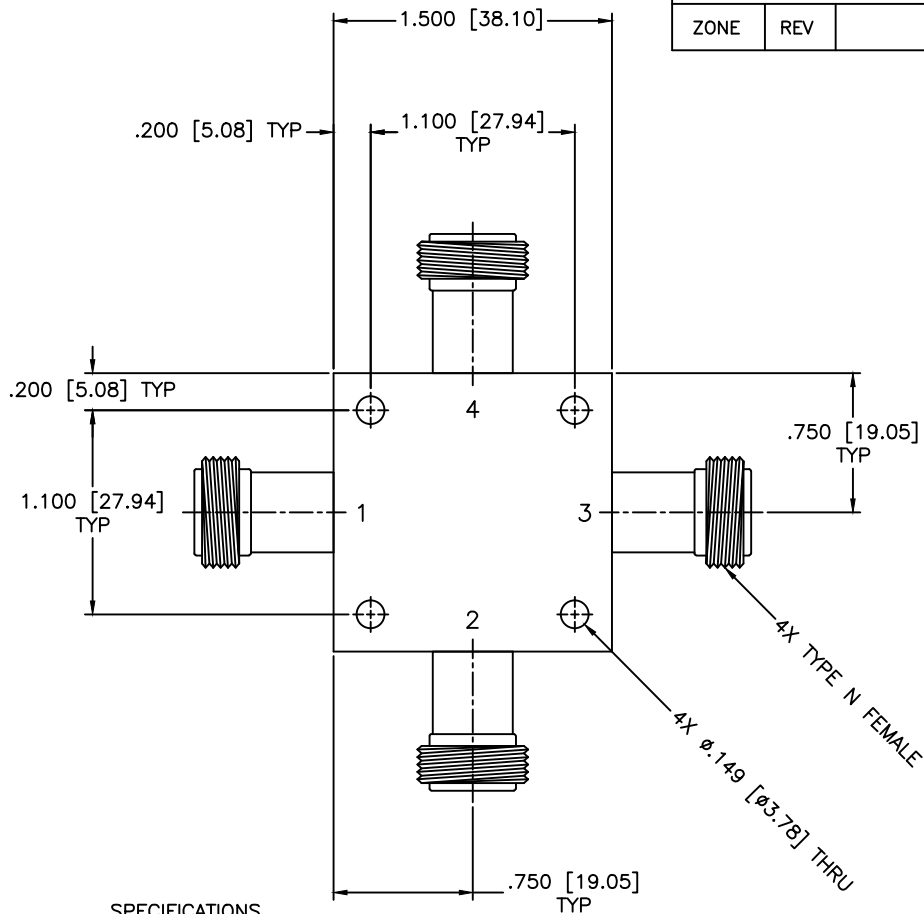


REVISIONS				
ZONE	REV	DESCRIPTION	DATE	APPROVED



PORT CONFIGURATION				
Input	90° Out	Isolated	0° Out	
1	2	3	4	

**SPECIFICATIONS**

- Frequency Range: 285–315 MHz
- Isolation: 20dB Min.
- VSWR: 1.20:1 Max.
- Insertion Loss: 0.4dB Max.
- Amplitude Balance: ±0.7dB Max.
- Phase Balance: ±3° Max.
- Operating Temperature: -55°C to +85°C

MATERIAL:	
DRAWN: Paiboon Luexhamhan	DATE: 06-09-2010
APPROVED: T. Nguyen	DATE: 06-09-2010

**MCLI** MICROWAVE COMMUNICATIONS LABORATORIES INC.  
 7255 30TH AVE. N. SAINT PETERSBURG, FL 33710  
 TEL: (727) 344-6254 FAX: (727) 381-6116  
 http://WWW.MCLI.COM

SCALE:	N/A
SHEET:	N/A

UNLESS OTHERWISE SPECIFIED:  
 TOLERANCES  
 IN (INCHES) OR [mm] (MILLIMETERS)  
 FRACTIONS: ± 1/64  
 DECIMALS: ±.01 ±.005  
 ANGLE: ±1/2°

DRAWING TITLE:	90° HYBRID, OCTAVE		
PART NO.	BL-14/NF		
CAGE CODE:	SIZE:	REV:	DWG NO.
OD2L5	A	N/A	84899
DO NOT SCALE THE DRAWING			

PROPERTY NOTICE:  
 THE INFORMATION IN THIS DRAWING IS PROPRIETARY  
 AND SHALL NOT BE USED OR DISCLOSED WITHOUT WRITTEN  
 PERMISSION FROM MICROWAVE COMMUNICATIONS  
 LABORATORIES INC. (MCLI)  
 THIRD ANGLE PROJECTION