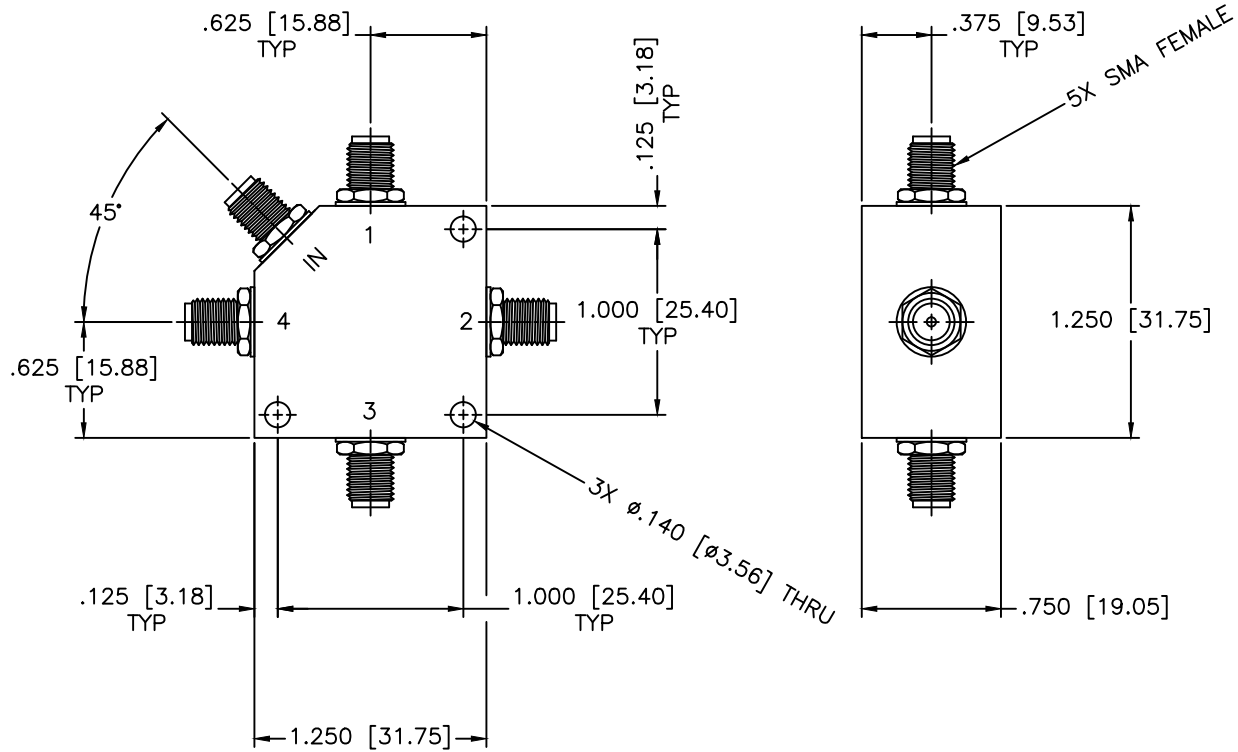


REVISIONS				
ZONE	REV	DESCRIPTION	DATE	APPROVED



SPECIFICATIONS

Frequency Range: 5–2000 MHz
 Isolation: 20dB Min.
 Insertion Loss: 2.8dB Max.
 Amplitude Balance: ±0.4dB Max.
 Phase Balance: ±8 Deg. Max.
 VSWR: 1.60:1 Max.

MATERIAL:			MICROWAVE COMMUNICATIONS LABORATORIES INC. 7255 30TH AVE. N. SAINT PETERSBURG, FL 33710 TEL: (727) 344-6254 FAX: (727) 381-6116 http://WWW.MCLI.COM		SCALE:	N/A
			UNLESS OTHERWISE SPECIFIED: TOLERANCES IN (INCHES) OR [mm] (MILLIMETERS) FRACTIONS: ± 1/64 DECIMALS: ±.01 ±.005 ANGLE: ±1/2°	DRAWING TITLE:		SHEET:
DRAWN:		PART NO.		4-WAY POWER DIVIDER		
DATE:		CAGE CODE:		PL4-20		
DRAWN: Paiboon Luekhamhan		DATE: 07-25-2013		SIZE:	A	REV: N/A
APPROVED: T. Nguyen		DATE: 07-25-2013		DO NOT SCALE THE DRAWING		DWG NO. 86303
		PROPRIETARY NOTICE: THE INFORMATION IN THIS DRAWING IS PROPRIETARY AND SHALL NOT BE USED OR DISCLOSED WITHOUT WRITTEN PERMISSION FROM MICROWAVE COMMUNICATIONS LABORATORIES INC. (MCLI)		THIRD ANGLE PROJECTION 		