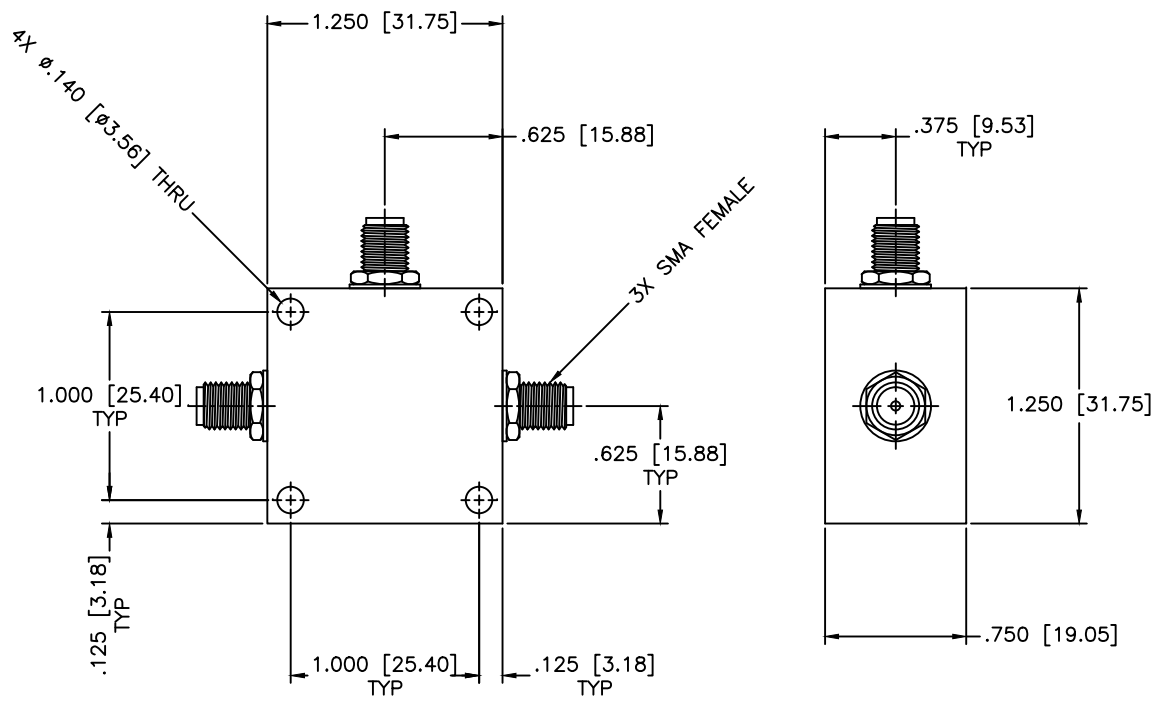


REVISIONS				
ZONE	REV	DESCRIPTION	Date	APPROVED



**SPECIFICATIONS**

Frequency Range: 5–2000 MHz  
 Isolation: 15dB Min.  
 VSWR: 1.25:1 Typ.  
 Insertion Loss: 1.8dB Max.  
 Amplitude Balance: ±0.4dB Max.  
 Phase Balance: ±5 Deg. Max.  
 Input Power: 1 Watt Max.

MATERIAL:		<b>MCLI</b> MICROWAVE COMMUNICATIONS LABORATORIES INC. 7255 30TH AVE. N. SAINT PETERSBURG, FL 33710 TEL: (727) 344-6254 FAX: (727) 381-6116 <a href="http://www.mcli.com">http://www.mcli.com</a>	SCALE:	N/A
			SHEET:	N/A
UNLESS OTHERWISE SPECIFIED: TOLERANCES IN (INCHES) OR [mm] (MILLIMETERS) FRACTIONS: ± 1/64 DECIMALS: ±.01 ±.005 ANGLE: ±1/2°		DRAWING TITLE: <b>2-WAY POWER DIVIDER</b>		
DRAWN: Paiboon Luekhamhan		PART NO.: PL2-9		
DATE: 03-11-2010		CAGE CODE: OD2L5		
APPROVED: T. Nguyen		DATE: 03-12-2010		
<small>PROPRIETARY NOTING: THE INFORMATION IN THIS DRAWING IS PROPRIETARY AND SHALL NOT BE USED OR DISCLOSED WITHOUT WRITTEN PERMISSION FROM MICROWAVE COMMUNICATIONS LABORATORIES INC. (MCLI)</small>		SIZE: A	REV: A	DWG NO.: 82409
		DO NOT SCALE THE DRAWING		