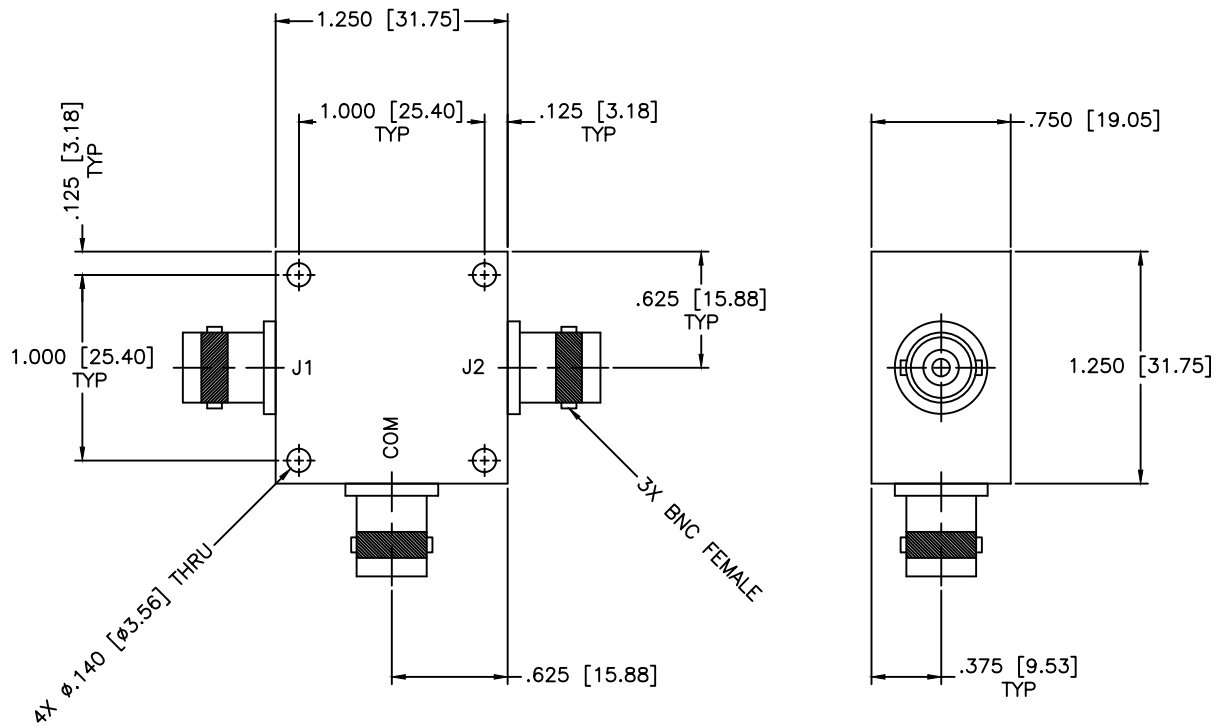


REVISIONS				
ZONE	REV	DESCRIPTION	DATE	APPROVED



SPECIFICATIONS

Frequency Range: 5–500 MHz
 Isolation: 35dB Min.
 Insertion Loss: 0.5dB Max.
 Amplitude Balance: ±0.2dB Max.
 VSWR: 1.30:1 Max.
 Phase Balance: ±1.0dB Max.
 Impedance: 75 Ohm

MATERIAL:			MICROWAVE COMMUNICATIONS LABORATORIES INC. 7255 30TH AVE. N. SAINT PETERSBURG, FL 33710 TEL: (727) 344-6254 FAX: (727) 381-6116 http://WWW.MCLI.COM		SCALE: N/A
			UNLESS OTHERWISE SPECIFIED: TOLERANCES IN (INCHES) OR [mm] (MILLIMETERS) FRACTIONS: ± 1/64 DECIMALS: ±.01 ±.005 ANGLE: ±1/2°		SHEET: N/A
DRAWN: Paiboon Luekhamhan		DATE: 09-04-2001		DRAWING TITLE: 2-WAY POWER DIVIDER	
APPROVED: T. Nguyen		DATE: 09-04-2001		PART NO. PL2-3-75/BF	
		PROPRIETARY NOTICE: THE INFORMATION IN THIS DRAWING IS PROPRIETARY AND SHALL NOT BE USED OR DISCLOSED WITHOUT WRITTEN PERMISSION FROM MICROWAVE COMMUNICATIONS LABORATORIES INC. (MCLI)		CAGE CODE: OD2L5	SIZE: A REV: N/A DWG NO. 81839
		THIRD ANGLE PROJECTION 		DO NOT SCALE THE DRAWING	